

# 322

**D-SERIES COMPACT EXCAVATOR**



# Small in size...big in performance!



- *Highest bucket breakout force in its class.*
- *Expandable undercarriage.*
- *Best cycle times in its class.*

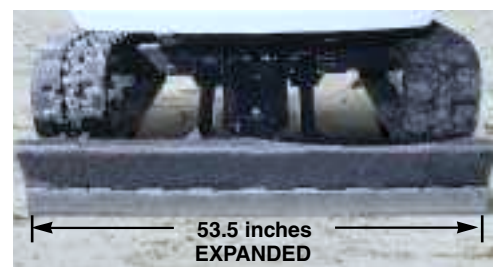
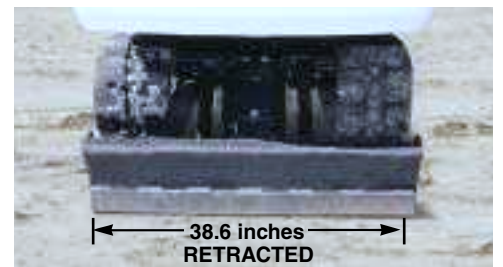


## Highest Bucket Breakout Force In Its Class

This agile work-saver offers 3,408 lbf (15,160 N) of bucket breakout force, along with high-torque, two-speed travel.

## Expandable Undercarriage

The Bobcat 322 compact excavator features a hydraulically-activated expandable undercarriage. Fully retracted, overall width is just under 39 inches. Expanded, track width is more than 53 inches, providing enhanced lifting characteristics and trenching capabilities — particularly when working over the side of the excavator.



## Best Cycle Times In Its Class

Bobcat's unique multi-function hydraulic feature lets the operator use up to four functions at the same time, such as those commonly employed when digging a hole or loading a truck:

- House Swing
- Boom Up
- Dipper Out
- Bucket Dump



## Hydraulic System

The hydraulic circuit on the 322 has been simplified and the hydraulic lines re-routed. Control of work group functions has also been enhanced through advances in spool metering.

## Swing-Open Tailgate

The swing-open tailgate permits unmatched engine serviceability. It's made of die-formed quarter-inch steel, which eliminates the need for the cast counterweights found on competitive excavators.



The tailgate latch is hidden, and opens with a lever located in the operator area. (The upper structure of the excavator is also made of quarter-inch steel for superior strength in all applications.)

## Controls Lockout

Raising the left or right console locks out the joystick and travel functions. A light on the console indicates when the lockout system is activated or deactivated.

## Two-Speed Function On Blade Lever

The two-speed activation function has been moved to the backfill blade handle. Pressing the two-speed button puts the machine in high range; pressing it again shifts the travel circuit back to low range. This eliminates the need for the operator to "hold" the two-speed in high range. A light on the console indicates when the travel circuit is in high.



## Control Pattern Selection

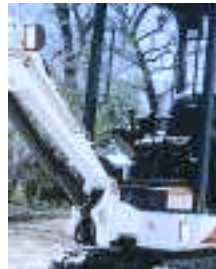


Now standard equipment on the 322, this feature allows the operator to quickly switch between ISO and Standard control patterns. The selection lever is located next to the operator for convenient access.

Now standard equipment on the 322, this feature allows the operator to quickly

## Work Lights

The 322's standard lighting package includes both boom-mounted and frame-mounted adjustable lights. If additional lighting is required, cab-mounted lights are available as accessories.



## Operator Area Storage Compartment



An enclosed storage area under the seat allows secure storage of the backfill blade extensions. It also houses the washer fluid bottle for cab-equipped machines and permits access to the battery.

An enclosed storage area under the seat allows secure storage of the backfill blade extensions. It

## Two-Piece Pedals

Travel, auxiliary and boom offset functions are controlled by two-piece folding pedals. When these functions aren't needed, the rear portion of the pedals can be folded forward and locked in position, allowing the operator to use them as footrests, as well as opening up more floor area for foot placement.



The angle of the pedals has also been optimized for more comfortable operation. Pedal activation is a fore-and-aft motion, which improves control over the side-to-side motion previously used.

## Work Group Hose Routing

Hoses are routed from the work group to the machine's upper structure through the lower portion of a cast swing frame. The casting provides added strength for the swing frame.



## Centralized Greasing

For ease of servicing, grease zerks for the swing pinion, swing bearing and offset cylinder are in a centralized location on the right front corner of the excavator.



## Training Resources

Operator and service training kits are available from your Bobcat excavator dealer. These comprehensive programs use video, manuals, and hands-on operation. A Spanish-language version is also available.

*Courtesy of Machine.Market*

# SPECIFICATIONS

## Engine

**322**

Make	Kubota
Model	D722-EB
Fuel	Diesel
Cooling	Liquid
Displacement	43.9 cu. in. (0.72 L)
Horsepower	15.7 hp (11.7 Kw) @ 3000 rpm

## Performance

Operating Weight	3526 lb. (1599 kg)
Maximum Travel Speed	
Low	1.0 mph (1.50 km/hr.)
High	1.8 mph (2.90 km/hr.)
Hydraulic Pumps	3
Type	Gear
Total Capacity	15.8 gpm (60.0 L/min.)
Auxiliary Hydraulic Flow	7.9 gpm (30.0 L/min.)
Fuel Tank Capacity	7.3 gal. (27.5 L)
Hydraulic Tank Capacity	1.7 gal. (6.5 L)
Standard Track Shoes	Rubber
Width	9.06 in. (230 mm)
Ground Pressure	4.38 PSI (30.2 kPa)

## Drive

Each track is independently driven by a hydrostatic axial piston motor connected to a planetary gear reduction box.

## Swing System

Swing Speed	10.9 rpm
Tail Swing Radius	42.1 in. (1068 mm)
Boom Swing	
Left	50°
Right	90°

## Rated Lift Capacity

Over End, Blade Down, Maximum Radius, Ground Level	483 lb. (219 kg)
---	------------------

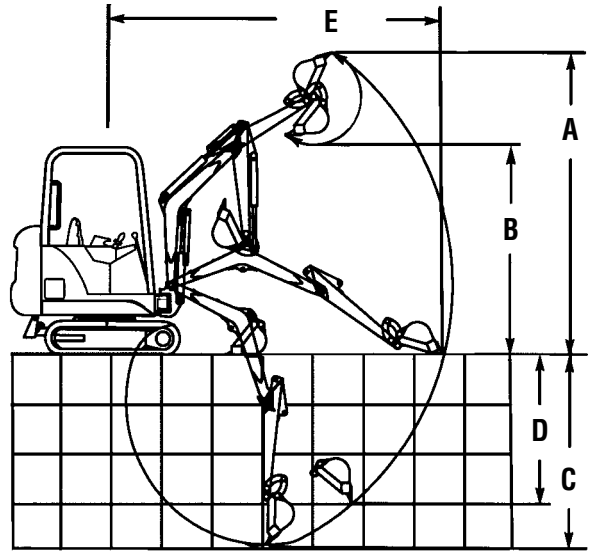
## Accessories

- Enclosed Cab with Heater
- Excavator Operator Training Kit
- Excavator Service Safety Training Kit
- Rental (Shutdown) Kit
- Top Guard/Light Kit
- Travel Motion Alarm Kit

## Attachments

- Breaker
- Trenching Buckets

## Working Range



## 322 Excavator

<b>A.</b> Max. Digging Height	137.2 in. (3485 mm)	<b>D.</b> Max. Vertical Wall Digging Depth	62 in. (1574 mm)
<b>B.</b> Max. Dumping Height	97.9 in. (2485 mm)	<b>E.</b> Max. Digging Reach At Ground Level	150.3 in. (3817 mm)
<b>C.</b> Max. Digging Depth	86.5 in. (2197 mm)	Arm Length	40.3 in. (1023 mm)
		Bucket Breakout Force	3408 lbf (15160 N)

## Features

- Easily expandable undercarriage from 38.6 in. to 53.5 in.
- Narrow width aids mobility at the work site, i.e. through gates and in other tight access areas.
- Expanded width creates a solid working platform, increasing productivity.

## Operation

- Track is extended or retracted using the blade lever.
- Rocker switch located to the right of the operator diverts flow between the blade function and the undercarriage.
- To expand or retract the undercarriage, lift the machine off the ground using the blade and boom function.

NOTE – Where applicable, dimensions are in accordance with Society of Automotive Engineers (SAE) and ISO standards. Specifications and design are subject to change without notice. Pictures of Bobcat excavators may show other than standard equipment. All dimensions are shown in inches. Respective metric dimensions are enclosed by parentheses. Bobcat Company complies with the requirements of ISO 9001 as registered with BSI.

*The Bobcat Attachments Advantage: Bobcat attachments are engineered and manufactured to fit Bobcat excavators for optimum job performance, dependability and durability.*

