



DIECI

AGRI STAR

35.6 | 40.7 | 38.8 | 38.10



ABSOLUTE QUALITY *EXCELLENCE ON A HUMAN SCALE*

The characteristics of Dieci products can be summarized in three concepts that have always been the hallmark of each vehicle: **technology, reliability** and **durability**.

A range of products that aim at excellence, developed around who uses them: man. We work every day to evolve our machines, adopting the best solutions based on our research, advice and experiences with our customers.

The result is the technological content of the vehicles we produce: the set of components and their set-up guarantee an **optimal performance** level. The result is a style that stands out, because we believe that our identity is our strength.

The **AGRI STAR** range, which has always been a symbol of excellence in terms of versatility, has been redesigned on a human scale: with the new futuristic cab designed by Giugiaro Design and important interventions on comfort and performance. We have provided farmers with a **top-quality telehandler**.

EXCLUSIVE COMFORT *ITALIAN DESIGN AND STYLE*

Dieci telehandler cabs have always been a combination of **comfort** and **functionality** linked with the **style** which makes us stand out all over the world. In the NEW 2018 CAB we wanted to enhance the Made in Italy with the touch of one of the most famous Italian Designers: **Giugiaro Design**.

The interiors are made of **soft touch materials** obtained from the Automotive sector, extremely soft to the touch, which ensures excellent **thermal and sound insulation**, in addition to **significantly reducing vibrations**. Aesthetics and quality combine with functionality: the passenger compartment is particularly bright thanks to the matching of soft colors and the backlighting of the pedal group, switches and access ladder. Full light and visibility also outwards, with a generous window that allows an **excellent 360° view**, LED work lights on the cab, perimeter and boom, electrically adjustable and heated wing mirrors and three wireless cameras that also inspect the most hidden points.

We want to offer the best comfort to operators, for this we have amplified the traditional comfort of the Dieci cabs with wider spaces for the legs, adjustable steering wheel and armrest, the choice of three different seat suspension systems and a **new cab shock absorption system**, unique in the telehandlers sector, able to effectively dampen the most annoying oscillations of the most uneven ground.

Finally, from research and advanced fluid dynamics studies, we have developed the new **air conditioning system** that, together with the openable roof and rear glass, ensures an optimized air distribution in order to regulate the ideal temperature in every season of the year.





FULL COMFORT

LARGER

- Improved ergonomics and accessibility: more space for the operator's legs

MORE COMFORTABLE

- Cab with hydraulic shock absorbers: shocks fully absorbed
- Adjustable steering column and armrest, heated seat with 3 suspension system options: driving on a comfortable seat

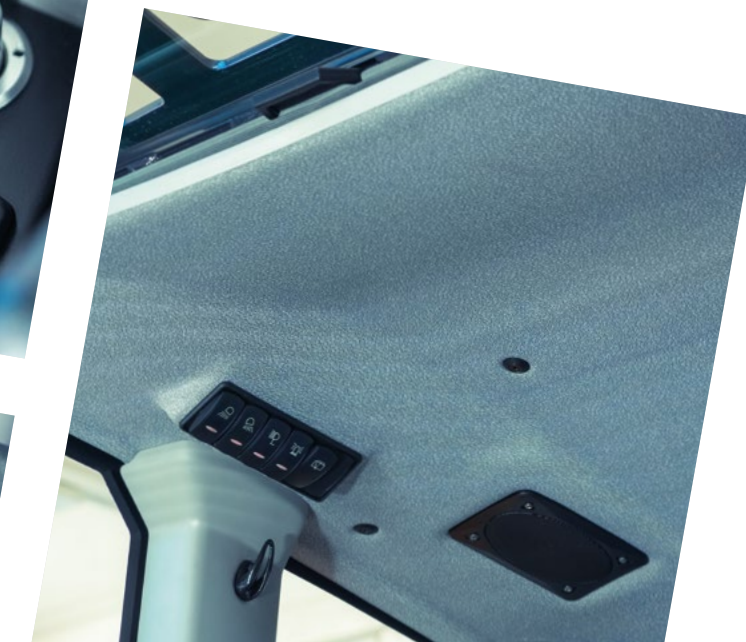
INTERIOR DESIGN

PRECIOUS TOUCH

- Precious soft-touch interiors obtained from the Automotive industry

THE NOISE OUTSIDE

- Soundproofed roof, instrument panel and mat insulate the cab from noise



PERFECT CLIMATE

ALWAYS THE RIGHT TEMPERATURE

- Optimized air flows: 6 vents available, openable rear glass and roof, integrated electric lateral window
- Quick demisting of the windows

DOUBLE AIR FILTER

- Operator protected against dust and odors



TOTAL VISIBILITY

PANORAMIC VIEW, ALWAYS

- Large windows: optimal visibility in all directions
- Integrated LED work lights: better view, consume less, last longer
- Headlights everywhere: perimeter, on the boom and on the boom head

EVERYTHING UNDER CONTROL

- 3.5" integrated display
- Electrically adjustable and heated wing mirrors
- 3 wireless cameras: rear, right side and boom head in a 7" display



PURE TECHNOLOGY

POWER AND CONTROL

Man operates, technology empowers and controls. The new agricultural range is designed on a fully integrated and **advanced electronic vehicle management system**: an exclusive Dieci feature.

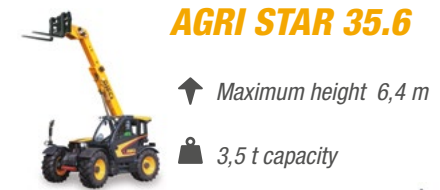
All the machine control functions (RPM control, speed and diagnostics) refer to a **single control** unit that measures the optimal working parameters through in-depth diagnostics, displaying them in real time, allowing the operator to always have **everything under control**. The tilting capacity and force have been increased, the boom can be fully operated on the dashboard with a **new joystick**, which also incorporates the fwd/rev selector (FNR reverse shuttle), for easier and more practical direction control.

Also the frame features new strength and stability, while the **hydrostatic single-speed transmission** ensures traction and speed without the need to change gear.





EVOLUTION OF THE FAMILY



ADVANCED TELESCOPIC BOOM

ELECTRONIC COMFORT, TECHNOLOGICAL POWER

- Reinforced boom made of High Resistance Steel: more reliable
- Extension cylinder with closing shock absorber: more comfort
- Suspension electronic control according to the speed and height
- Load Sensing - Flow Sharing Distributors: more simultaneous movements for a more efficient work
- Direction of travel and boom controlled by the new CAN-bus joystick

ATTACHMENT HOLDING PLATE

NEW ATTACHMENT HOLDING PLATE

- Reinforced in casting
- Counter-lever articulation: greater tilting angle

NEW AUTOMATIC COUPLING SYSTEM

- Tools recognition without manual operations: easier, maximum safety
- Immediate machine setting for different uses

HYDRAULIC ACCESSORIES LOCK

- Double cylinder, double action, maximum stability



SINGLE-SPEED HYDROSTATIC TRANSMISSION

WIDE SPEED VARIABILITY

- From 0 to 38 km/h always at maximum power

SINGLE GEAR

- Great comfort: no gear changes, no jolts
- High towing force even at high speed

EFFICIENCY GUARANTEED OVER TIME

- More Powerful
- Easier
- More reliable







POWER

FAST, ACCURATE AND ECOLOGICAL

Power, up to 143 hp, but above all **high performance**: this is the spirit of the new engine that drives all the models of the AGRI STAR family. A cutting-edge engine with a fully electronic control, to optimize **power output and efficiency**.

Its 4485 CC displacement develops an impressive torque at only 1500 rpm. All without renouncing to long lasting reliability and **respect for the environment**, with DOC and SCR systems to reduce atmospheric emissions according to Stage 4/Tier 4F regulations.



ENGINE

HIGH PERFORMANCE

- A torque of 590 Nm at only 1500 rpm

ELECTRONIC EVOLUTION

- Complete electronic control: optimized output and efficiency

LONG AUTONOMY

- New top-of-range tank: 175 liters of fuel

CLEAN POWER

MINIMUM EMISSIONS

- Stage 4/Tier 4F system
- DOC+SCR catalysts
- 35 liter Urea tank

HYDRAULIC SYSTEM

DOUBLE GEAR PUMP

- Boom readiness and reactivity
- Precise and fast movements, even at high power

THE MAN FIRST

WE SIMPLIFY YOUR WORK

MAINTENANCE

We make the vehicle as the customer wants it!

Dieci, thanks to more than half a century of experience in the telehandler sector, is proud to apply this constructive philosophy: we accept the advice of those who have already contacted us and we think about how to simplify work on a Dieci vehicle.

For the new agricultural range we have completely redesigned the **engine compartment**, with an attractive design that integrates large rear and lateral openings in the hood, so that it can be accessed more easily. Inside, the optimal arrangement of components will make **maintenance quicker and more convenient**.

The radiators are easier and faster to clean, as the new unit makes more accessible. Lubricating operations are easier and faster thanks to the automatic system. Easy life even in the passenger compartment: the air filter can be reached without any tools, while the perfectly sealed electrical system remains protected from water and dust. Also the interventions required for the change of hydraulic oil are minimal, as they are necessary only every 2000 hours of operation.



DIECI SERVICE

Dieci Service is our technical assistance service present across the world, through an **extensive network of dealers** and authorized service centers. Our customers are assisted directly by specialized technicians and every request is satisfied in a very short time: thanks to the use of automated warehouses, Dieci Service can provide, within a few hours, interventions and spare parts all over the world.

Visit www.dieci.com to find the dealer closest to you.

DEALERS 400

COUNTRIES 70

BRANCHES 3

TECHNICAL DATA

PERFORMANCE

Machine model	AGRI STAR 35.6 EVO2	AGRI STAR 40.7 EVO2	AGRI STAR 38.8 EVO2	AGRI STAR 38.10 EVO2
Maximum capacity	3500 kg (7716 lb)	4000 kg (8818 lb)	3800 kg (8378 lb)	3800 kg (8378 lb)
Maximum lifting height on wheels	6,4 m (21 ft)	7,2 m (23,6 ft)	7,6 m (24,9 ft)	9,6 m (31,5 ft)
Pull-out force	5700 daN (12814 lbf)	5700 daN (12814 lbf)	5700 daN (12814 lbf)	5700 daN (12814 lbf)
Towing force	5600 daN (12589 lbf)	5600 daN (12589 lbf)	5600 daN (12589 lbf)	5600 daN (12589 lbf)
Maximum climb angle	45%	45%	45%	45%
Unladen weight	7880 kg (17372 lb)	8780 kg (19357 lb)	8300 kg (18298 lb)	8550 kg (18850 lb)
Max speed (referred to wheels with maximum permitted diameter)	38 km/h (23,6 mph)	38 km/h (23,6 mph)	38 km/h (23,6 mph)	38 km/h (23,6 mph)

ENGINE

Brand	FPT
Peak power	107 kW (143 HP)
@rpm	1800 rpm
Nominal power	96 kW (129 HP)
@rpm	2200 rpm
Displacement	4485 cm ³ (274 in ³)
Emission standards	Stage IV/Tier 4f
Exhaust gas treatment	DOC+SCR (AdBlue)
Intake	16-valve turbo compressor, aftercooler

HYDRAULIC SYSTEM

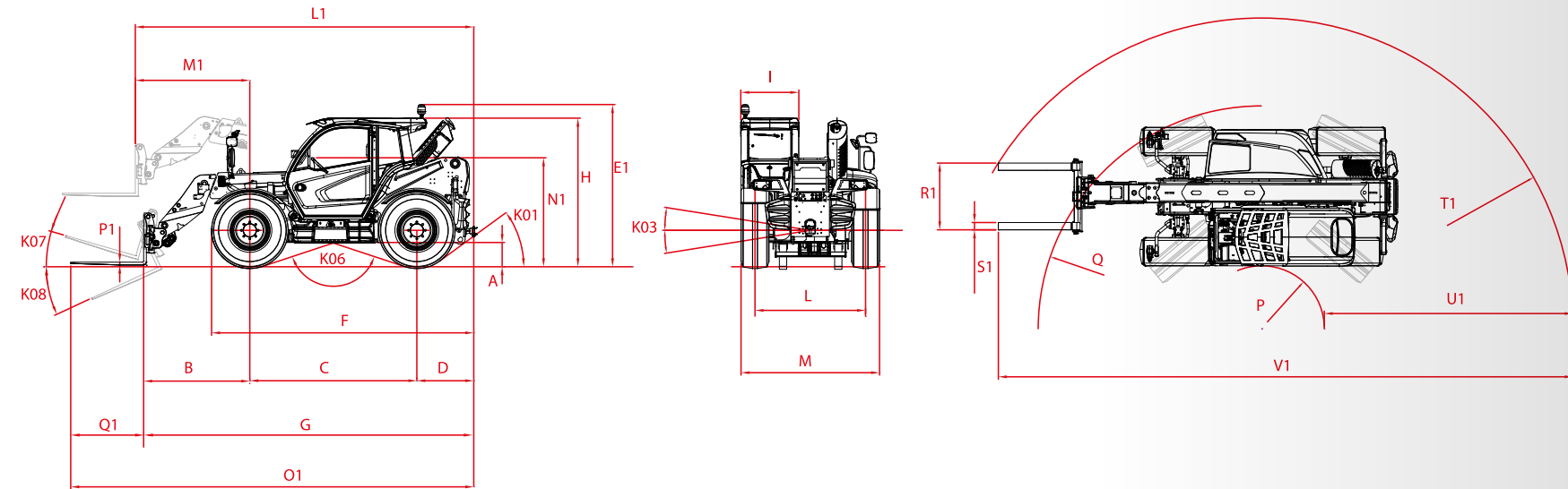
Hydraulic pump type	No. 3 gear pumps for powersteering, movements and Fan Drive
Hydraulic pump capacity	205 L/min (54,2 gal/min)
Max. operating pressure	25,5 MPa (3698 psi)
Distributor control	4in1 proportional Joystick with FNR

TRANSMISSION

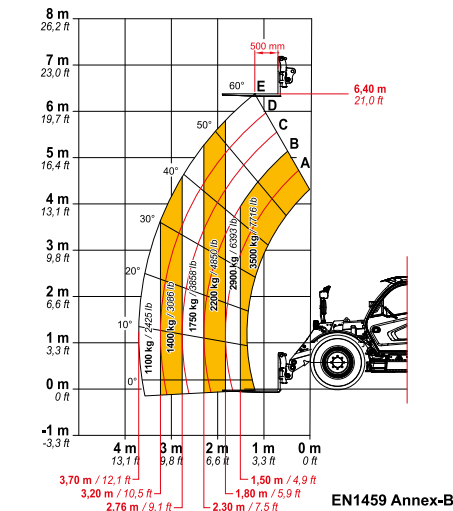
Transmission type	Single speed Hydrostatic transmission with variable displacement pump
Hydraulic motor	Hydrostatic with continuous automatic adjustment
Reversal	Electro-Hydraulic
Inching	With hydraulic pedal for controlled forward movement

DIMENSIONS

	AGRI STAR 35.6 EVO2	AGRI STAR 40.7 EVO2	AGRI STAR 38.8 EVO2	AGRI STAR 38.10 EVO2
A	360 mm (14,2 in)	360 mm (14,2 in)	360 mm (14,2 in)	360 mm (14,2 in)
B	1283 mm (50,5 in)	1283 mm (50,5 in)	1748 mm (68,8 in)	1307 mm (51,5 in)
C	2750 mm (108,3 in)	2750 mm (108,3 in)	2750 mm (108,3 in)	2750 mm (108,3 in)
D	877 mm (34,5 in)	937 mm (36,9 in)	937 mm (36,9 in)	937 mm (36,9 in)
E1	2630 mm (103,5 in)	2630 mm (103,5 in)	2630 mm (103,5 in)	2630 mm (103,5 in)
F	4216 mm (166 in)	4276 mm (168,3 in)	4276 mm (168,3 in)	4276 mm (168,3 in)
G	4911 mm (193,3 in)	4971 mm (195,7 in)	5435 mm (214 in)	4995 mm (196,7 in)
H	2410 mm (94,9 in)	2410 mm (94,9 in)	2410 mm (94,9 in)	2410 mm (94,9 in)
I	960 mm (37,8 in)	960 mm (37,8 in)	960 mm (37,8 in)	960 mm (37,8 in)
K01	36°	31°	31°	31°
K03	9°	9°	9°	9°
K07	16°	16°	16°	16°
K08	131°	131°	131°	131°
L	1870 mm (73,6 in)	1870 mm (73,6 in)	1870 mm (73,6 in)	1870 mm (73,6 in)
L1	5080 mm (200 in)	5140 mm (202,4 in)	5572 mm (219,4 in)	5159 mm (203,1 in)
M	2290 mm (90,2 in)	2290 mm (90,2 in)	2290 mm (90,2 in)	2290 mm (90,2 in)
M1	1453 mm (57,2 in)	1453 mm (57,2 in)	1885 mm (74,2 in)	1472 mm (58 in)
N1	1755 mm (69,1 in)	1755 mm (69,1 in)	1755 mm (69,1 in)	1755 mm (69,1 in)
O1	6111 mm (240,6 in)	6171 mm (243 in)	6635 mm (261,2 in)	6195 mm (243,9 in)
P	1031 mm (40,6 in)	1031 mm (40,6 in)	1031 mm (40,6 in)	1031 mm (40,6 in)
Q	3679 mm (144,8 in)	3679 mm (144,8 in)	3679 mm (144,8 in)	3679 mm (144,8 in)
R1	1100 mm (43,3 in)	1100 mm (43,3 in)	1100 mm (43,3 in)	1100 mm (43,3 in)
S1	120 mm (4,7 in)	120 mm (4,7 in)	120 mm (4,7 in)	120 mm (4,7 in)
T1	4691 mm (184,7 in)	4691 mm (184,7 in)	5127 mm (201,9 in)	4759 mm (187,4 in)
U1	3706 mm (145,9 in)	3706 mm (145,9 in)	4097 mm (161,3 in)	3729 mm (146,8 in)
V1	8599 mm (338,5 in)	8599 mm (338,5 in)	9463 mm (372,6 in)	8655 mm (340,7 in)
P1	45 mm (1,8 in)	45 mm (1,8 in)	45 mm (1,8 in)	45 mm (1,8 in)
Q1	1200 mm (47,2 in)	1200 mm (47,2 in)	1200 mm (47,2 in)	1200 mm (47,2 in)



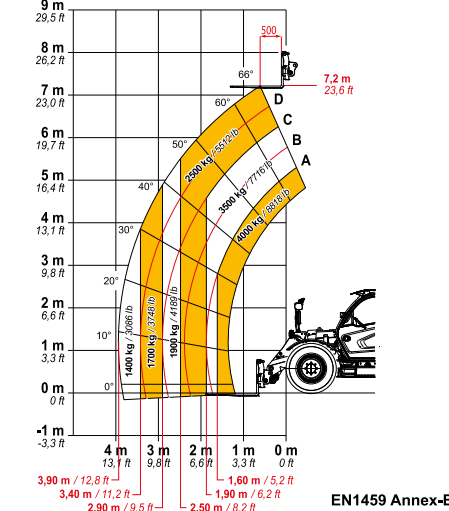
MAX
3500 kg / 7716 lb



EN1459 Annex-B

AGRI STAR 35.6

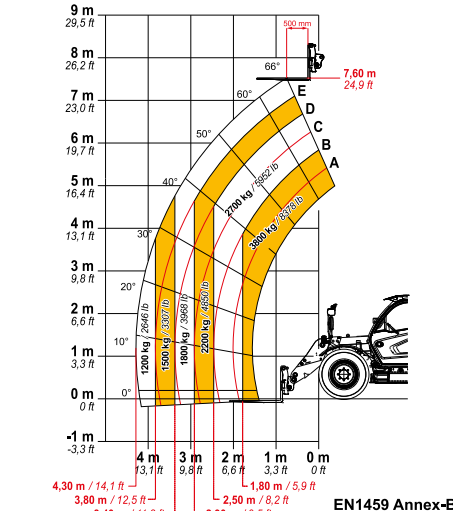
MAX
4000 kg / 8818 lb



EN1459 Annex-B

AGRI STAR 40.7

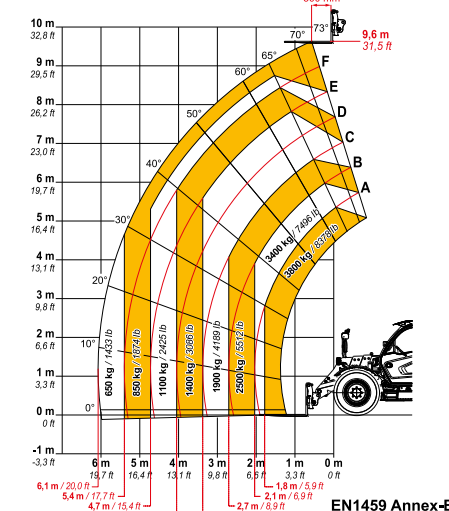
MAX
3800 kg / 8378 lb



EN1459 Annex-B

AGRI STAR 38.8

MAX
3800 kg / 8378 lb



EN1459 Annex-B

AGRI STAR 38.10

DIECI, A STRONG COMPANY

EXPERIENCE FOR INNOVATION

We design and build work vehicles since 1962, and today we are recognized as one of the most important global players.

Proudly Italian, with general headquarters in Emilia Romagna of over 135,000 square meters and about 400 people employed, thanks to 3 European branches in Germany, United Kingdom, France and a global network of over 400 dealers, Dieci is present in over 70 countries.

Research and development of innovative technologies, training and customer care are incessantly at the center of our activities: the result of this constant commitment is realized in an offer that includes 159 models in production, including agricultural, construction, industrial and special vehicles.

In the last 2 years we have renewed 80% of the product range, to offer our customers increasingly advanced, performing, reliable and safe solutions.

Today we introduce the new agricultural range, 4 families and 15 models with major upgrades on comfort and design, to **give value to the most important element: man.**

1962 **FOUNDED**

135.000 **m²**

400 **EMPLOYEES**

159 **MODELS**

19 **FAMILIES**

AGRI STAR

35.6 | 40.7 | 38.8 | 38.10

DIECI

www.dieci.com

