



Technical specification

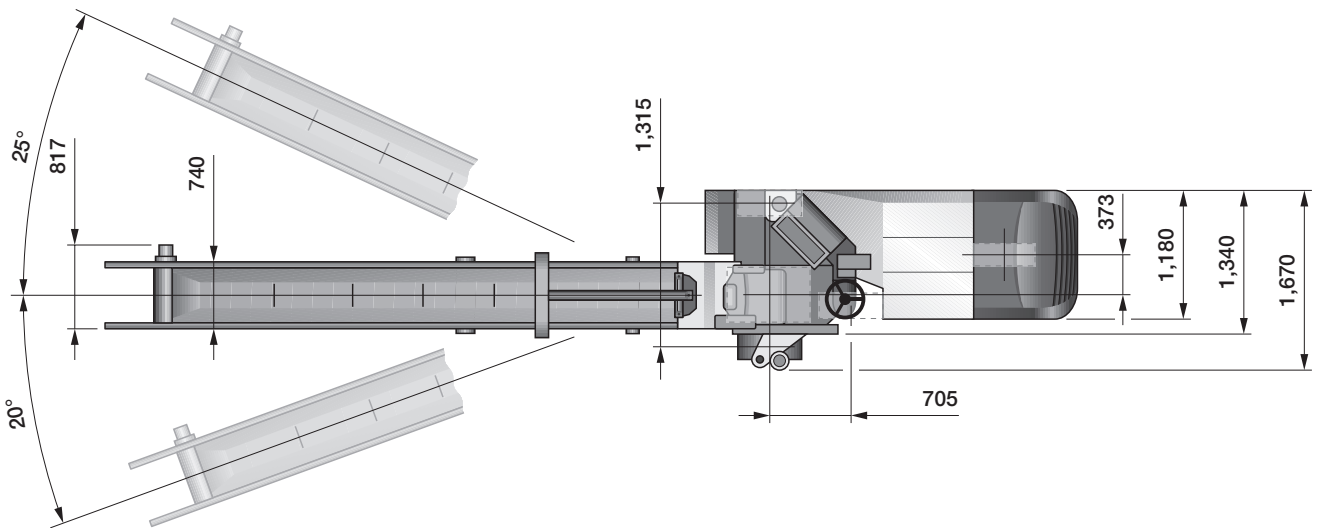
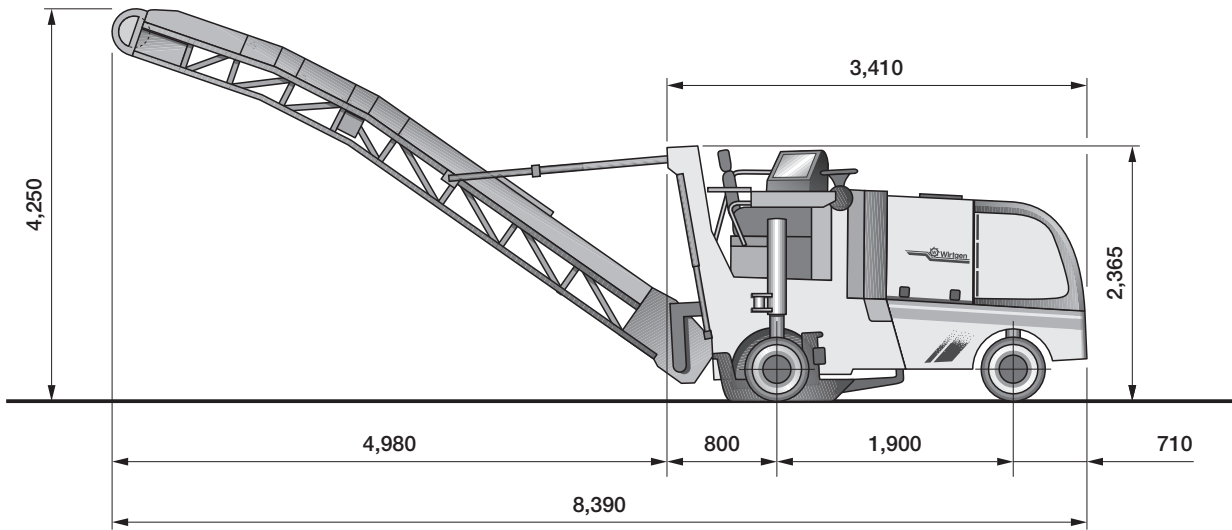
Cold milling machine W 50



		Cold milling machine W 50
Milling width max.		500 mm
Milling depth *1		0–160 mm
Milling drum		
Tool spacing		15 mm
Number of tools		50
Drum diameter with tools		590 mm
Engine		
Manufacturer		Deutz
Type		TD 2011 L04W
Cooling		Water
Number of cylinders		4
Rated power at 2,500 min ⁻¹		59.9 kW/80.3 HP/81.5 PS
Displacement		3,619 cm ³
Fuel consumption at rated power		18.3 l/h
Fuel consumption in field mix		8.3 l/h
Emission standards		EU Stage 3a/US EPA Tier 3
Electrical system		24 V
Tank capacities		
Fuel tank		165 l
Hydraulic fluid tank		80 l
Water tank		500 l
Speed/gradeability		
Travel speed in 1 st milling gear		0–12.5 m/min
Travel speed in 2 nd milling gear		0–25 m/min
Travel speed in travel gear, max.		0–6 km/h
Tyres		
Type		Solid rubber
Tyre size front and rear, 3-wheeled model	(dia. x W)	559 x 254 mm
Tyre size front, 4-wheeled model	(dia. x W)	560 x 203 mm
Tyre size rear, 4-wheeled model	(dia. x W)	560 x 254 mm
Conveyor system		
Belt width		400 mm
Theoretical conveyor capacity		82 m ³ /h
Shipping dimensions		
Machine dimensions (L x W x H)		3,450 x 1,670 x 2,450 mm
Conveyor dimensions (L x W x H)		6,100 x 820 x 1,200 mm

*1 = The maximum milling depth may deviate from the value indicated, due to tolerances and wear.

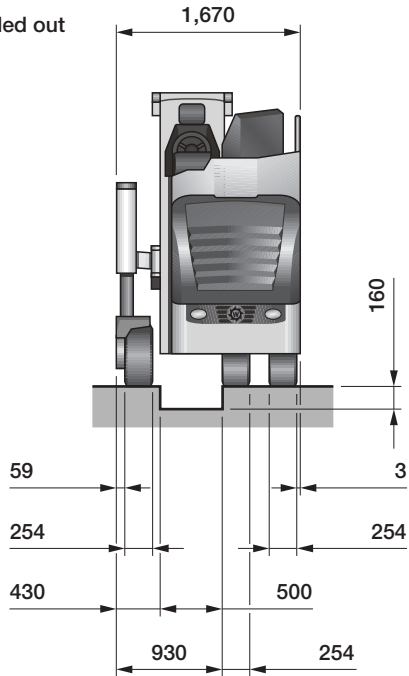
Dimensions in mm



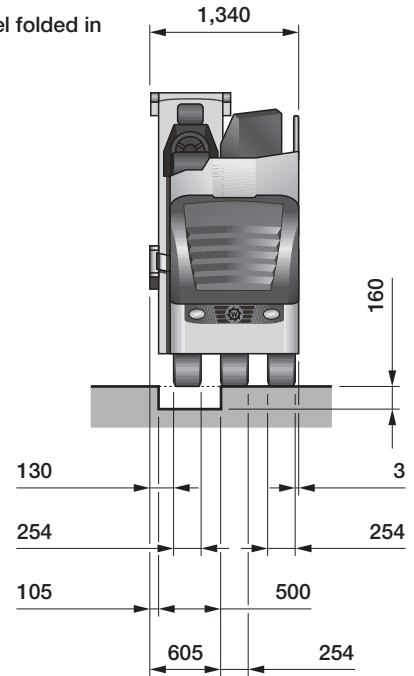
Front view of W 50, 3-wheeled model

Dimensions in mm

with support wheel folded out



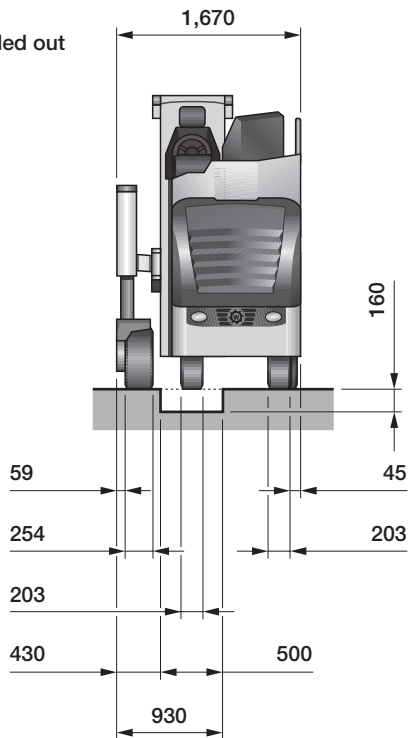
with support wheel folded in



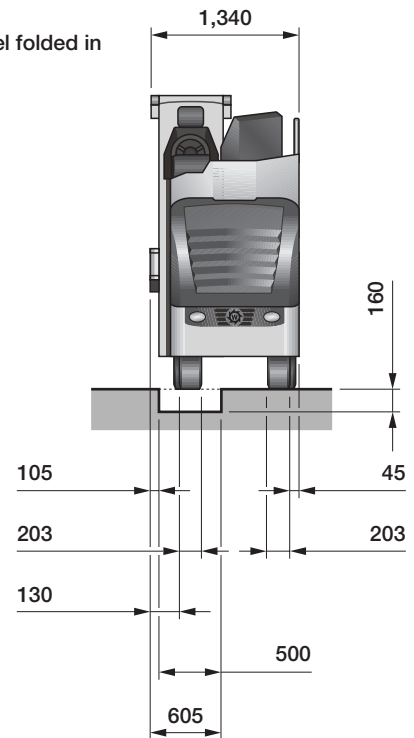
Front view of W 50, 4-wheeled model

Dimensions in mm

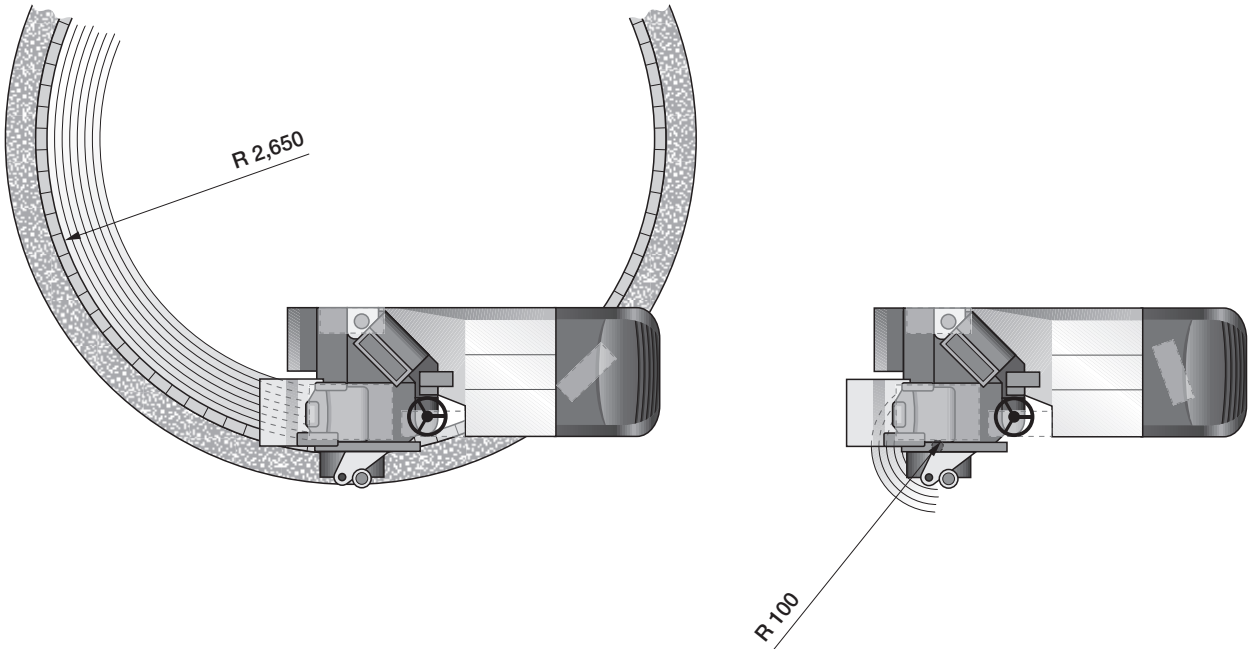
with support wheel folded out



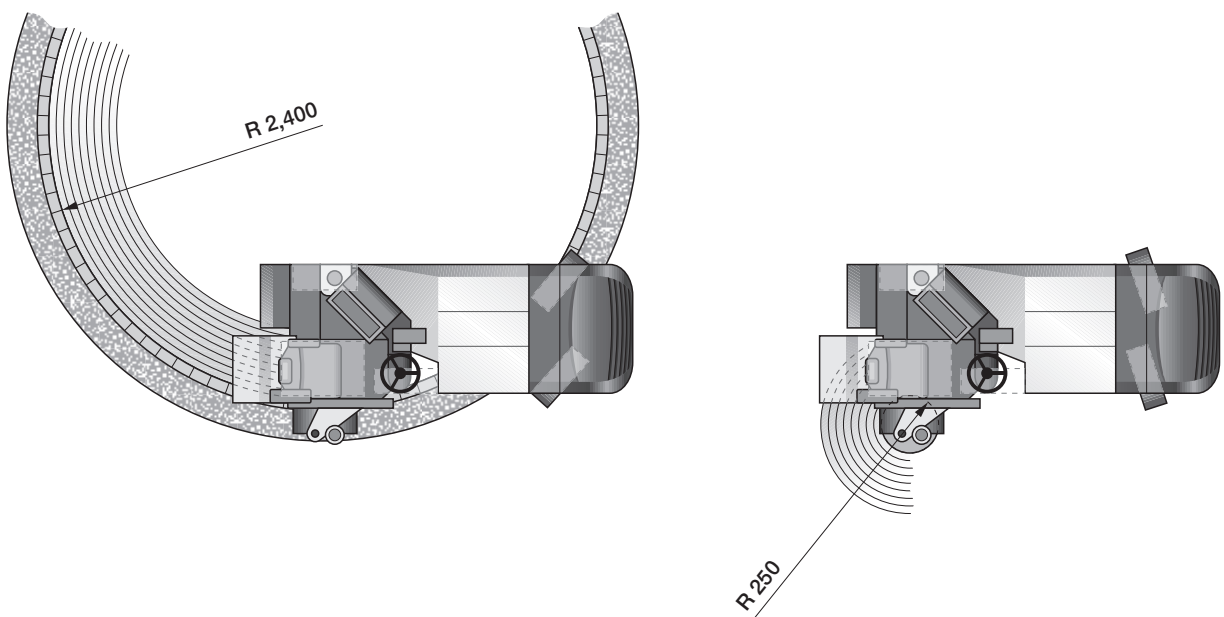
with support wheel folded in



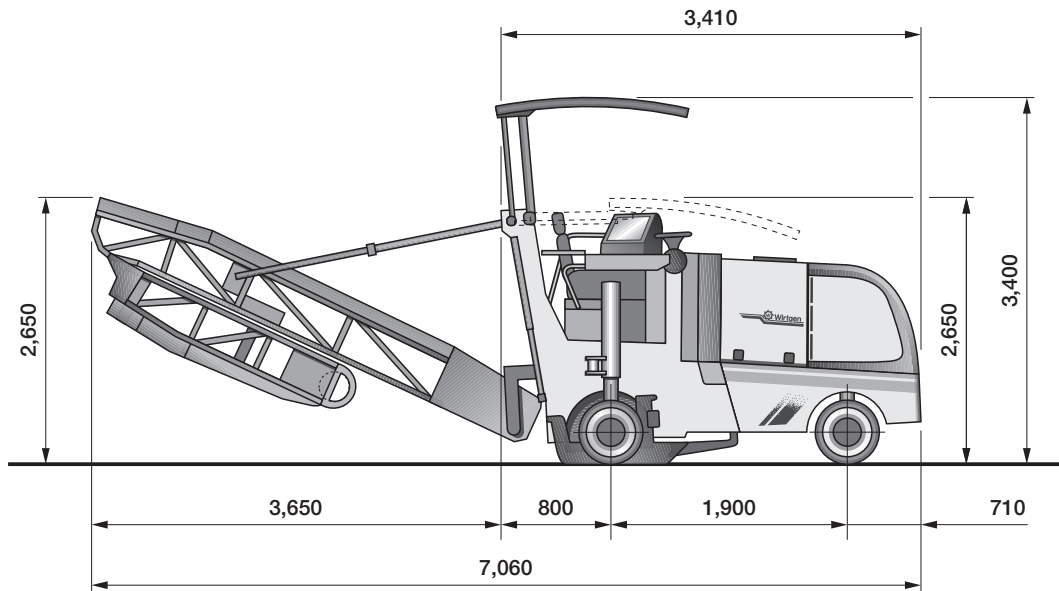
Smallest possible milling radii of W 50, 3-wheeled model, 50 mm milling depth
Dimensions in mm



Smallest possible milling radii of W 50, 4-wheeled model, 50 mm milling depth
Dimensions in mm



Machine transport with optional folding conveyor and canopy roof
Dimensions in mm



	Machine weights cold milling machine W 50
Empty weight of machine in three-wheel design without conveyor	6,350 daN (kg)
Operating weight, CE *	6,750 daN (kg)
Maximum operating weight (full tanks, full range of equipment)	7,887 daN (kg)
Weights of filling media	
Water tank filling in kg	500 daN (kg)
Diesel tank filling in kg (0.83 kg/l)	137 daN (kg)
Optional equipment features increasing / reducing empty weight	
Conveyor, long	450 daN (kg)
Folding conveyor, long	500 daN (kg)
Conveyor, short	250 daN (kg)
Four-wheel design in lieu of three-wheel design	250 daN (kg)
Canopy	150 daN (kg)

* = Weight of machine with half-full water tank, half-full fuel tank, driver (75 kg) and on-board tools.

Equipment features of cold milling machine W 50

Standard equipment:

Basic machine with engine

- ✔ Water-cooled engine
- ✔ Highly effective soundproofing of entire engine compartment
- ✔ Standard painting in Wirtgen white with orange stripes

Milling drum housing and loading of milled material

- ✔ Heavy-duty rear cover panel, opening wide if required
- ✔ Right-hand side plate in hinged design
- ✔ Hydraulically lifting side plates, left and right

Milling drums

- ✔ Milling drum, milling width 500 mm, tool spacing 15 mm, in welded double-pin toolholder design

Machine and levelling control

- ✔ Digital multifunctional display in control panel
- ✔ Convenient control console with practical, illuminated switches
- ✔ Mechanical depth indication via indicator gauge
- ✔ Automatically engageable hydraulic traction control (flow divider)
- ✔ Manual milling speed control
- ✔ Engageable water injection in milling chamber

Operator's platform

- ✔ Convenient access to operator's platform
- ✔ Fully anti-vibration mounted operator's platform
- ✔ Driver's seat adjustable in direction of travel
- ✔ Height-adjustable steering wheel
- ✔ Multifunctional machine control integrated in right-hand armrest
- ✔ Lockable control panel covers
- ✔ One exterior rear view mirror each left and right
- ✔ Reversing horn

Chassis and height adjustment

- ✔ 3-wheeled chassis
- ✔ Mechanically folding rear right support wheel
- ✔ Two speeds for height adjustment

Miscellaneous

- ✔ Lighting package comprising two plug-in halogen spotlights, one halogen spotlight with magnetic base, as well as one rotating beacon
- ✔ Comprehensive tool kit
- ✔ Safety package with emergency stop button
- ✔ Additional storage compartment for cutting tool containers
- ✔ Warranty of 12 months or 1,000 engine operating hours
- ✔ Machine commissioning by qualified personnel

Optional equipment:

Basic machine with engine

- ✔ Operation of machine with biodegradable hydraulic fluid
- ✔ Special painting in one, two or several colours

Milling drum housing and loading of milled material

- ✔ Battery-operated hydraulic cutting tool extractor
- ✔ Hydraulically pressurized scraper blade
- ✔ Discharge conveyor, 5,600 mm long
- ✔ Mechanically folding discharge conveyor, 5,600 mm long
- ✔ Short discharge conveyor, 1,100 mm long
- ✔ Hydraulically lifting sealing plate, front

Milling drums

- ✔ Milling drum, milling width 500 mm, tool spacing 20 mm, HT01 toolholder system
- ✔ Milling drum, milling width 500 mm, tool spacing 6 mm, HT5 toolholder system
- ✔ Milling drum, milling width 500 mm, tool spacing 3 mm, HT4 toolholder system
- ✔ Milling drum for water gutters, milling width 500 mm, tool spacing 15 mm, HT5 toolholder system
- ✔ Milling drum, milling width 450 + 2x25 mm, tool spacing 6 mm, HT5 toolholder system
- ✔ Milling drum, milling width 400 mm, tool spacing 12 mm, HT01 toolholder system
- ✔ Milling drum, milling width 300 + 2x25 mm, tool spacing 3 mm, HT4 toolholder system
- ✔ Milling drum, milling width 300 mm, tool spacing 12 mm, HT01 toolholder system
- ✔ Milling drum, milling width 300 mm, tool spacing 3 mm, HT4 toolholder system
- ✔ Attachment milling ring, milling width 80 mm, milling depth 300 mm
- ✔ Mounting carriage for milling drums

Machine and levelling control

- ✔ Digital electric height indicator
- ✔ Level Pro levelling system with one wire-rope sensor each left and right
- ✔ Slope sensor

Operator's platform

- ✔ Individually adjustable driver's seat offering multiple adjustment options
- ✔ Protective canopy with manual lowering and side-moving feature

Chassis and height adjustment

- ✔ 4-wheeled chassis

Miscellaneous

- ✔ Lighting package comprising one halogen spotlight with magnetic base, as well as two built-in spotlights plus direction indicators at the front of the machine, and two side lights plus direction indicators at the loading conveyor
- ✔ Additional hydraulic connections for ancillary hydraulic equipment



Wirtgen GmbH
Reinhard-Wirtgen-Strasse 2 · 53578 Windhagen · Germany
Phone: +49 (0) 26 45/131-0 · Fax: +49 (0) 26 45/131-242
Internet: www.wirtgen.com · E-Mail: info@wirtgen.com