

CASE
CONSTRUCTION

WHEELED EXCAVATOR
WX125 - Series 2



Power
Operating weight (max.)
Bucket capacity

84 kW - 112 hp
12 600 kg
0.23 - 0.57 m³

P R O F E S S I O N A L P A R T N E R

CLEAN PERFORMANCE

A powerful four cylinder Tier III engine offers high productivity with a 12% fuel saving over the previous Tier II model. Low noise output and reduced gaseous emissions make this an ideal machine for confined urban site operation.

Environmentally friendly. Highly productive.

TOTAL CONTROL

High specification hydraulic system offers simultaneous use of multiple functions for smooth digging and lifting performance. Electronic engine speed sensing control provides full use of the hydraulic pump output. The machine comes with an automatic priority device with swing pressure control for outstanding controllability.

Smooth operation. Reduced fatigue.



CHASSIS VERSATILITY

Two or four wheel steering with crab steer facility to move the machine diagonally away from obstructions. Minimal turning circle of just 8.4 m. Customers can choose between rear blade, rear stabilisers, front blade and rear stabilisers of four stabiliser legs. Stabilisers and blade work independently controlled by the boom joystick. Maximum travel speed of 33 km/h or 20 km/h according to local regulations.

Agile performer. Operator control.

ERGONOMIC ENVIRONMENT

High space cab offers the same internal volume as larger excavators. Excellent all round visibility with tinted glass to all windows, including modular total or partial opening windscreen. Fully adjustable suspension seat and steering column ensure complete comfort for operators of all sizes. Majority of operating controls are located on joysticks, with forward and reverse movement controlled by the accelerator pedal.

Enhanced visibility. Ease of operation.

DESIGNED FOR PRODUCTIVITY

The compact Case WX upperstructure has a longitudinal mounted engine for a reduced tailswing radius. The slew function uses the main load sensing hydraulic system with an integrated automatic priority system and automatic static brake. Patented anti-drop valves standard on boom and dipper cylinders. A wide choice of booms and dipper arms is available and the boom foot has hydraulic articulation, allowing digging up to a wall or obstruction.

Robust design. Practical operation.



SERVICE ACCESS

Three lift up canopy doors around the rear and sides of the machine allow easy access to regular service and maintenance components. Tier III engine has 500 hour oil change intervals and all service points can be easily reached from ground level for technician safety. Ecological engine drain tap and hoses standard and biodegradable oil can be specified as an option.

Reduced downtime. Maximum productivity.

UPPERCARRIAGE



Designed as a compact midi class machine, the WX125 Series 2 has a very small rear overhang, with a tailswing radius of just 1,670 mm. The longitudinal engine mounting ensures that service points are easily reached, despite this compact design, with ground level access to all regular maintenance areas. The machine has hydraulic boom offset to allow working against walls and other obstructions. With a choice of main boom and dipper arm lengths and specifications, the machine features patented anti-drop valves on main boom and dipper arm cylinders.

UNDERCARRIAGE



A two gear range transmission offers a maximum travel speed between job sites of 33 km/h. Maximum drawbar pull in low range is 79 kN. The WX125 Series 2 can be specified with two wheel steering or four wheel steering, and a choice of single or double wheels. In four wheel steering the machine offers a crab steering mode to allow diagonal movement away from a wall or obstruction, protecting the upperstructure and reducing the risk of impact on site.

ARTICULATED EQUIPMENT



The Tier 3 compliant WX125 is designed to operate in confined spaces. It's full articulated boom, combined with a short radius upper structure, makes it possible for the machine to work in narrow urban applications. The standard offset boom allows the WX125 to work alongside a wall or other obstruction. The boom itself is also articulated, enabling the operator to carry loads close in to the machine. The boom is equipped with a standard auxiliary hydraulic circuit to power additional hydraulic services, such as quick couplers, 4-in-1 buckets and hydraulic attachments.

OPERATOR'S CAB

The WX125 Series 2 uses the Case High Space cab, that offers similar internal volume to much larger excavators. The spacious environment is further improved by the extensive use of tinted glass to offer excellent all round visibility and a large transparent cab roof to allow additional light into the cabin. A fully adjustable suspension seat and tilting steering column ensure that operators of all sizes will be able to find a comfortable position in this exceptionally quiet cab. Simple to operate joystick controls and pedals ensure low effort and reduced fatigue for the operator over a full working day.



ENGINE



Electronically-controlled turbo charged diesel engine meets Tier III emissions regulations. In tests the 112 hp (84 kW) engine offers increased productivity with up to 12% lower fuel consumption. Engine and hydraulic pump monitoring and control system offers multifunction use with high output, increasing productivity and tonne/litre output for the customer.

HYDRAULICS



Case has been a manufacturer of class-leading excavators for many years and the WX125 Series 2 builds on that success. The hydraulic system has on-board computer and engine speed sensor control to maximise hydraulic flow and pressure to meet the operator's needs. A swing pressure control offers the driver outstanding controllability, while the flow pump saving circuit minimises oil return to ensure smooth flowing movement of the boom and dipper arm.

SERVICE AND MAINTENANCE



Three large gullwing doors at the rear and side of the upperstructure afford excellent access to the engine and hydraulic components. All regular service work can be carried out from ground level and the Tier III engine has 500 hour oil change intervals to minimise downtime. The electronic management system incorporates self-diagnostic software that can be accessed via the large monitor in the cab. Standard ecological drain plugs and hoses are included and customers can opt for fully biodegradable oil if working in sensitive areas.







SPECIFICATIONS

ENGINE

Latest generation engine, meeting European requirements for "Low exhaust emissions" Tier III in accordance with directive 97/68/EC

Make _____ CASE FAMILY III
 Type _____ F4GE9484H* J6 / 445TA/MLL
 Turbocharged, compression ignition. Direct injection from rotary pump. Internal EGR
 Number of cylinders _____ 4
 Bore - Stroke _____ 104 x 132 mm
 Cubic capacity _____ 4500 cc
 Horsepower EEC80/1269 _____ 84 kW @ 2000 rpm
 Maximum Torque _____ 495 Nm @ 1200 rpm

HYDRAULIC SYSTEM

Total max. flow _____ 182 l/min
 Attachment max pressure _____ 350 bar
 Travel max pressure _____ 350 bar
 Swing max pressure _____ 200 bar

SWING

Max upperstructure swing speed _____ 8.3 rpm
 Swing torque _____ 26.0 kNm
 Tail swing radius _____ 1670 mm

TRAVEL

Max travel speed (field range) _____ 11 km/h
 Max travel speed (road range) _____ 33 km/h
 Max drawbar pull (field range) _____ 79 kN

ELECTRICAL SYSTEM

Voltage _____ 24 V
 Batteries _____ 2 x 12 V - 100 A/h
 Starter motor _____ 4 kW
 Alternator _____ 70 A

UNDERCARRIAGE

2 wheel steering turning circle diameter _____ 12.5 m
 4 wheel steering turning circle diameter _____ 8.4 m

CIRCUIT AND COMPONENT CAPACITIES

Fuel tank _____ 162 l
 Hydraulic tank _____ 110 l
 Engine oil _____ 13 l
 Cooling circuit _____ 22 l
 Swing gear _____ 3 l

BRAKES

Service brakes _____ oil bath disc type
 Work brake _____ acts on service brakes and locks front axle oscillation
 Parking brake _____ spring type mechanical acting on rear axle
 Emergency brake _____ double braking circuit and automatic parking brake actuation with the engine shut down

TYRES

4 wheels _____ 600/40 - 22.5
 8 wheels with twinning rings _____ 10.00 - 20

BUCKETS*

GENERAL PURPOSE

| SAE capacity | l | 232 | 297 | 364 | 433 | 503 | 574 |
|--------------|----|-----|-----|-----|-----|-----|------|
| Width | mm | 500 | 600 | 700 | 800 | 900 | 1000 |
| Weight | kg | 195 | 210 | 230 | 245 | 270 | 285 |

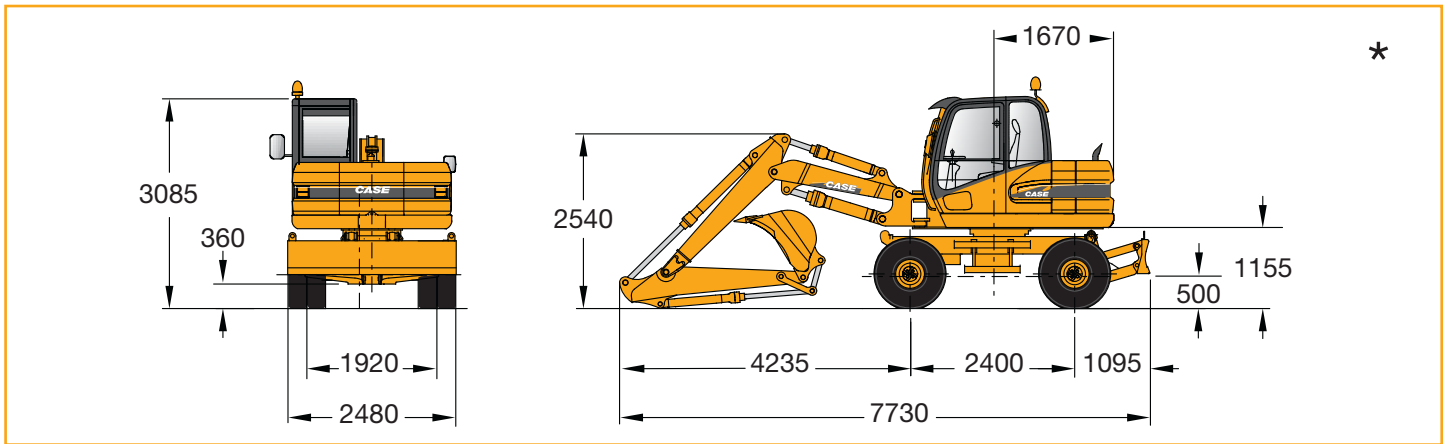
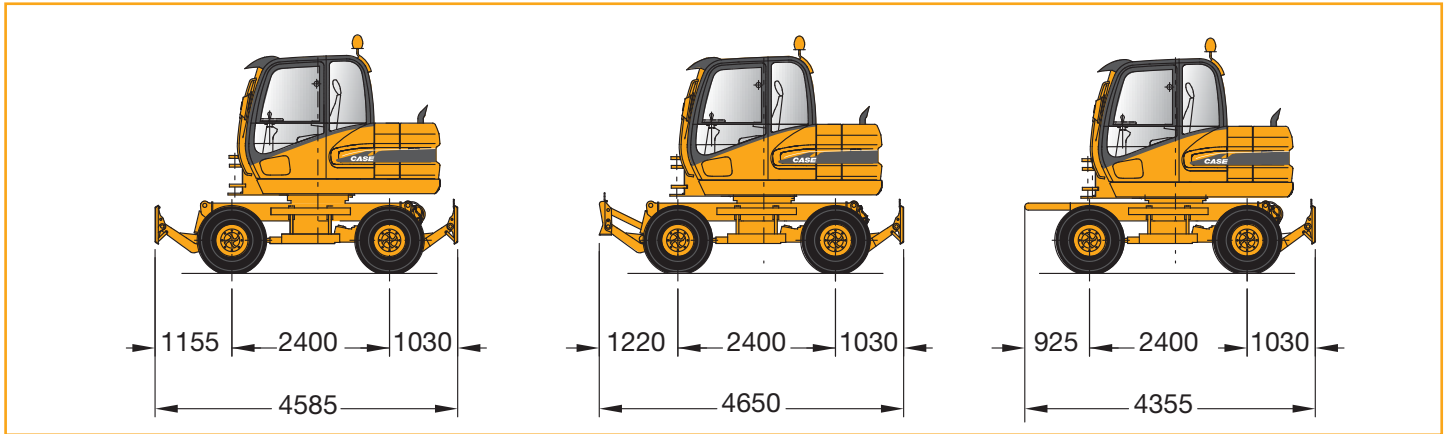
* For other bucket sizes, please contact your CASE dealer

SHIPPING DIMENSIONS AND WEIGHT

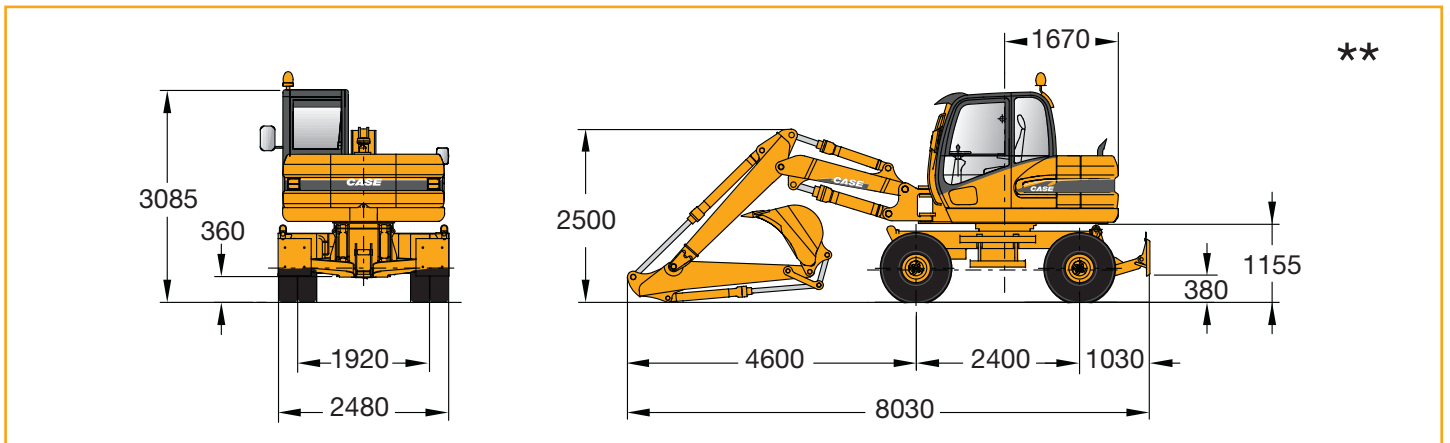
| | PL | | | P2A | | | P2AL | | | P4A | | |
|---------------|------------|------------|-------|------------------|------------|-------|--------------------------|------------|-------|---------------|------------|-------|
| | Rear Blade | | | Rear Stabilisers | | | Front Blade + Rear Stab. | | | 4 Stabilisers | | |
| | max length | max height | kg | max length | max height | kg | max length | max height | kg | max length | max height | kg |
| Dipper 2.00 m | 7730 | 3085 | 12050 | 7665 | 3085 | 11850 | 7665 | 3085 | 12550 | 7665 | 3085 | 12350 |
| Dipper 2.35 m | 8095 | 3085 | 12100 | 8030 | 3085 | 11900 | 8030 | 3085 | 12600 | 8030 | 3085 | 12400 |

GENERAL DIMENSIONS

Machine equipped with twin tyres 10.00-20 16PR

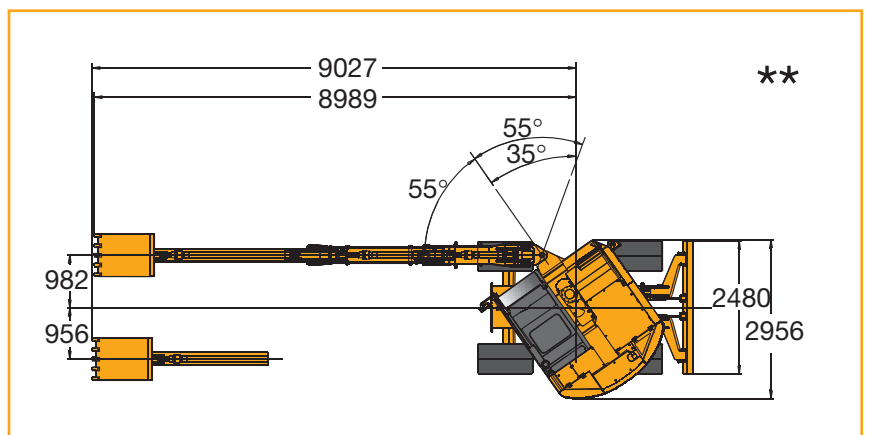


*



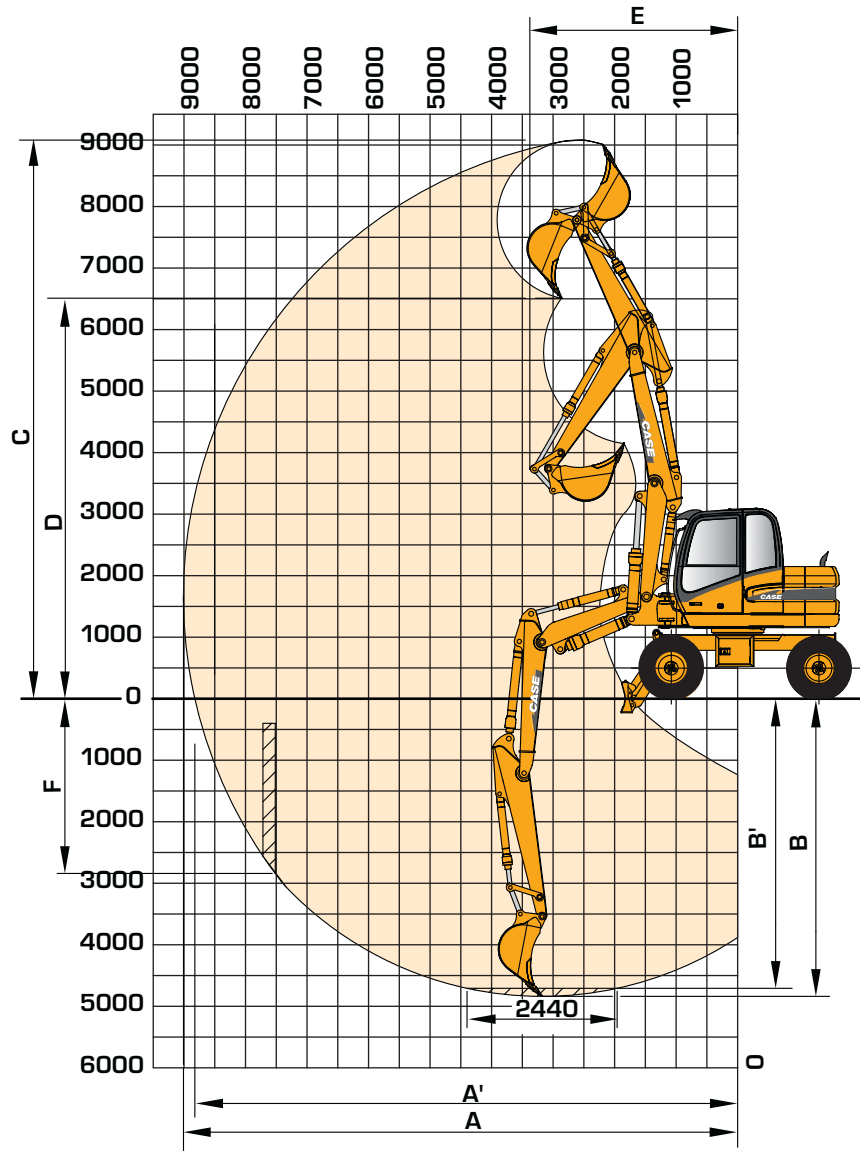
**

Dimensions are indicated in mm
 * Machine equipped with dipper 2000 mm long
 ** Machine equipped with dipper 2350 mm long



**

PERFORMANCE DATA



DIPPERSTICK

| | | 2000 mm | 2350 mm | |
|----|---------------------------------------|---------|---------|------|
| A | Maximum digging reach | mm | 8668 | 9008 |
| A' | Maximum digging reach at ground level | mm | 8474 | 8824 |
| B | Maximum digging depth | mm | 4491 | 4838 |
| B' | Digging depth - 2440 mm level bottom | mm | 4352 | 4708 |
| C | Max digging height | mm | 8759 | 9080 |
| D | Max loading height | mm | 6201 | 6510 |
| E | Minimum front swing radius | mm | 3174 | 3378 |
| F | Max digging depth of vertical wall | mm | 2570 | 2841 |
| | Bucket breakout force (350 bar) | daN | 7300 | 7300 |
| | Stick breakout force (350 bar) | daN | 6290 | 5670 |

WX125 Series 2



LIFTING CAPACITY

BASE BOOM: 1.85 m - TOP BOOM: 2.15 m - BUCKET (CECE): 0.433 m³ (245 Kg)

Values are expressed in tonnes

| Front 360° | REACH | | | | | | | |
|---------------|-------|--|-------|--|-------|--|--------------|--|
| | 4.5 m | | 6.0 m | | 7.5 m | | At max reach | |

PL up - DIPPERSTICK 2.00 m

| | | | | | | | | | |
|--------|-----|-----|-----|-----|-----|-----|-----|-----|-----|
| 6.0 m | 2.6 | 2.3 | | | | | 1.6 | 1.5 | 5.7 |
| 4.5 m | 2.6 | 2.3 | 1.5 | 1.4 | | | 1.1 | 1.1 | 6.9 |
| 3.0 m | 2.4 | 2.1 | 1.5 | 1.4 | | | 1.0 | 0.9 | 7.4 |
| 1.5 m | 2.1 | 1.9 | 1.4 | 1.3 | 0.9 | 0.8 | 0.9 | 0.8 | 7.6 |
| 0 m | 2.0 | 1.8 | 1.3 | 1.2 | | | 1.0 | 0.9 | 7.3 |
| -1.5 m | 2.0 | 1.8 | 1.3 | 1.2 | | | 1.1 | 1.0 | 6.7 |
| -3.0 m | 1.8 | 1.6 | | | | | 1.8 | 1.6 | 4.9 |

PL down - DIPPERSTICK 2.00 m

| | | | | | | | | | |
|--------|------|-----|------|-----|-----|-----|------|-----|-----|
| 6.0 m | 4.1* | 2.7 | | | | | 2.5* | 1.7 | 5.7 |
| 4.5 m | 4.3* | 2.6 | 3.6* | 1.6 | | | 2.2* | 1.2 | 6.9 |
| 3.0 m | 5.3* | 2.4 | 3.8* | 1.7 | | | 2.2* | 1.0 | 7.4 |
| 1.5 m | 6.3* | 2.2 | 3.9 | 1.5 | 2.7 | 1.0 | 2.3* | 1.0 | 7.6 |
| 0 m | 6.0* | 2.1 | 3.8 | 1.5 | | | 2.6* | 1.0 | 7.3 |
| -1.5 m | 4.6* | 2.1 | 3.1* | 1.4 | | | 2.2* | 1.2 | 6.7 |
| -3.0 m | 2.5* | 1.9 | | | | | 2.5* | 1.9 | 4.9 |

P2A down - DIPPERSTICK 2.00 m

| | | | | | | | | | |
|--------|------|-----|-----|-----|-----|-----|------|-----|-----|
| 6.0 m | 4.1* | 2.3 | | | | | 2.5* | 1.5 | 5.7 |
| 4.5 m | 4.3* | 2.3 | 3.2 | 1.4 | | | 2.2* | 1.0 | 6.9 |
| 3.0 m | 5.1 | 2.1 | 3.1 | 1.4 | | | 2.2* | 0.9 | 7.4 |
| 1.5 m | 4.8 | 1.9 | 3.0 | 1.3 | 2.1 | 0.8 | 2.1 | 0.8 | 7.6 |
| 0 m | 4.7 | 1.8 | 3.0 | 1.2 | | | 2.2 | 0.9 | 7.3 |
| -1.5 m | 4.6* | 1.8 | 3.0 | 1.2 | | | 2.2* | 1.0 | 6.7 |
| -3.0 m | 2.5* | 1.6 | | | | | 2.5* | 1.6 | 4.9 |

P2AL down - DIPPERSTICK 2.00 m

| | | | | | | | | | |
|--------|------|-----|------|-----|-----|-----|------|-----|-----|
| 6.0 m | 4.1* | 2.9 | | | | | 2.5* | 1.9 | 5.7 |
| 4.5 m | 4.3* | 2.9 | 3.6* | 1.8 | | | 2.2* | 1.4 | 6.9 |
| 3.0 m | 5.3* | 2.7 | 3.6 | 1.8 | | | 2.2* | 1.2 | 7.4 |
| 1.5 m | 5.5 | 2.4 | 3.5 | 1.7 | 2.5 | 1.1 | 2.3* | 1.1 | 7.6 |
| 0 m | 5.4 | 2.3 | 3.4 | 1.6 | | | 2.5 | 1.1 | 7.3 |
| -1.5 m | 4.6* | 2.3 | 3.1* | 1.5 | | | 2.2* | 1.3 | 6.7 |
| -3.0 m | 2.5* | 2.1 | | | | | 2.5* | 2.1 | 4.9 |

P4A down - DIPPERSTICK 2.00 m

| | | | | | | | | | |
|--------|------|-----|------|-----|-----|-----|------|-----|-----|
| 6.0 m | 4.1* | 2.5 | | | | | 2.5* | 1.6 | 5.7 |
| 4.5 m | 4.3* | 2.4 | 3.5 | 1.5 | | | 2.2* | 1.1 | 6.9 |
| 3.0 m | 5.3* | 2.3 | 3.4 | 1.5 | | | 2.2* | 1.0 | 7.4 |
| 1.5 m | 5.3 | 2.0 | 3.3 | 1.4 | 2.4 | 0.9 | 2.3 | 0.9 | 7.6 |
| 0 m | 5.2 | 1.9 | 3.3 | 1.3 | | | 2.4 | 0.9 | 7.3 |
| -1.5 m | 4.6* | 1.9 | 3.1* | 1.3 | | | 2.2* | 1.1 | 6.7 |
| -3.0 m | 2.5* | 1.7 | | | | | 2.5* | 1.7 | 4.9 |

- Lift capacities are taken in accordance with SAE J 1097/ISO 10567/DIN 15019-2.
- Lift capacities shown in tons do not exceed 75% of the tipping load or 87% of the hydraulic lift capacity.
- Capacities that are marked with an asterisk are hydraulic limited.
- If the machine is equipped with a quick coupler, subtract the weight of the quick coupler from the load shown in the tables to calculate the real lifting capacity.
- The machine must be parked on firm, level ground, with stabilisers and/or blade on the ground.

LIFTING CAPACITY

BASE BOOM: 1.85 m - TOP BOOM: 2.15 m - BUCKET (CECE): 0.433 m³ (245 Kg)

Values are expressed in tonnes

| Front 360° | REACH | | | | | | | |
|---------------|-------|--|-------|--|-------|--|--------------|--|
| | 4.5 m | | 6.0 m | | 7.5 m | | At max reach | |

PL up - DIPPERSTICK 2.35 m

| | | | | | | | | | |
|--------|-----|-----|-----|-----|-----|-----|-----|-----|-----|
| 6.0 m | 2.3 | 2.4 | 1.6 | 1.4 | | | 1.4 | 1.3 | 6.2 |
| 4.5 m | 2.6 | 2.3 | 1.6 | 1.4 | | | 1.1 | 1.0 | 7.2 |
| 3.0 m | 2.4 | 2.1 | 1.5 | 1.3 | 1.0 | 0.9 | 0.9 | 0.8 | 7.8 |
| 1.5 m | 2.2 | 1.9 | 1.4 | 1.2 | 1.0 | 0.8 | 0.9 | 0.8 | 7.9 |
| 0 m | 2.0 | 1.8 | 1.3 | 1.2 | 0.9 | 0.8 | 0.9 | 0.8 | 7.7 |
| -1.5 m | 2.0 | 1.7 | 1.3 | 1.1 | | | 1.0 | 0.9 | 7.1 |
| -3.0 m | 1.8 | 1.6 | | | | | 1.8 | 1.6 | 4.9 |

PL down - DIPPERSTICK 2.35 m

| | | | | | | | | | |
|--------|------|-----|------|-----|------|-----|------|-----|-----|
| 6.0 m | 3.7* | 2.7 | 2.8* | 1.6 | | | 2.1* | 1.5 | 6.2 |
| 4.5 m | 3.9* | 2.7 | 3.4* | 1.6 | | | 1.9* | 1.1 | 7.2 |
| 3.0 m | 4.9* | 2.5 | 3.7* | 1.5 | 2.7* | 1.0 | 1.8* | 1.0 | 7.8 |
| 1.5 m | 6.1* | 2.2 | 3.9 | 1.4 | 2.7 | 1.0 | 1.9* | 1.0 | 7.9 |
| 0 m | 6.2* | 2.1 | 3.8 | 1.4 | 2.7 | 1.0 | 2.2* | 0.9 | 7.7 |
| -1.5 m | 5.0* | 2.1 | 3.3* | 1.4 | | | 2.2* | 1.1 | 7.1 |
| -3.0 m | 2.5* | 1.9 | | | | | 2.5* | 1.9 | 4.9 |

P2A down - DIPPERSTICK 2.35 m

| | | | | | | | | | |
|--------|------|-----|------|-----|-----|-----|------|-----|-----|
| 6.0 m | 3.7* | 2.4 | 2.8* | 1.4 | | | 2.1* | 1.3 | 6.2 |
| 4.5 m | 3.9* | 2.3 | 3.2 | 1.4 | | | 1.9* | 0.9 | 7.2 |
| 3.0 m | 4.9* | 2.1 | 3.1 | 1.3 | 2.2 | 0.9 | 1.8* | 0.8 | 7.8 |
| 1.5 m | 4.9 | 1.9 | 3.0 | 1.2 | 2.1 | 0.8 | 1.9* | 0.8 | 7.9 |
| 0 m | 4.7 | 1.7 | 2.9 | 1.1 | 2.1 | 0.8 | 2.0 | 0.8 | 7.7 |
| -1.5 m | 4.7 | 1.7 | 2.9 | 1.1 | | | 2.2* | 0.9 | 7.1 |
| -3.0 m | 2.5* | 1.6 | | | | | 2.5* | 1.6 | 4.9 |

P2AL down - DIPPERSTICK 2.35 m

| | | | | | | | | | |
|--------|------|-----|------|-----|-----|-----|------|-----|-----|
| 6.0 m | 3.7* | 2.9 | 2.8* | 1.8 | | | 2.1* | 1.6 | 6.2 |
| 4.5 m | 3.9* | 2.9 | 3.4* | 1.8 | | | 1.9* | 1.2 | 7.2 |
| 3.0 m | 4.9* | 2.7 | 3.6 | 1.7 | 2.5 | 1.1 | 1.8* | 1.1 | 7.8 |
| 1.5 m | 5.6 | 2.5 | 3.5 | 1.6 | 2.4 | 1.1 | 1.9* | 1.0 | 7.9 |
| 0 m | 5.4 | 2.3 | 3.4 | 1.5 | 2.4 | 1.1 | 2.2* | 1.1 | 7.7 |
| -1.5 m | 5.0* | 2.3 | 3.3* | 1.5 | | | 2.2* | 1.2 | 7.1 |
| -3.0 m | 2.5* | 2.1 | | | | | 2.5* | 2.1 | 4.9 |

P4A down - DIPPERSTICK 2.35 m

| | | | | | | | | | |
|--------|------|-----|------|-----|-----|-----|------|-----|-----|
| 6.0 m | 3.7* | 2.5 | 2.8* | 1.5 | | | 2.1* | 1.4 | 6.2 |
| 4.5 m | 3.9* | 2.5 | 3.4* | 1.5 | | | 1.9* | 1.0 | 7.2 |
| 3.0 m | 4.9* | 2.3 | 3.5 | 1.4 | 2.4 | 0.9 | 1.8* | 0.9 | 7.8 |
| 1.5 m | 5.4 | 2.0 | 3.3 | 1.3 | 2.3 | 0.9 | 1.9* | 0.8 | 7.9 |
| 0 m | 5.2 | 1.9 | 3.3 | 1.3 | 2.3 | 0.9 | 2.2* | 0.9 | 7.7 |
| -1.5 m | 5.0* | 1.9 | 3.2 | 1.2 | | | 2.2* | 1.0 | 7.1 |
| -3.0 m | 2.5* | 1.7 | | | | | 2.5* | 1.7 | 4.9 |

- Lift capacities are taken in accordance with SAE J 1097/ISO 10567/DIN 15019-2.
- Lift capacities shown in tons do not exceed 75% of the tipping load or 87% of the hydraulic lift capacity.
- Capacities that are marked with an asterisk are hydraulic limited.
- If the machine is equipped with a quick coupler, subtract the weight of the quick coupler from the load shown in the tables to calculate the real lifting capacity.
- The machine must be parked on firm, level ground, with stabilisers and/or blade on the ground.

WX125 Series 2

STANDARD EQUIPMENT & OPTIONS

STANDARD EQUIPMENT

- 2 wheel steering
- Robust, shielded arc-welded, modular chassis in box section design
- Large toolbox under the right step
- Latest generation CASE Family III Tier 2 diesel engines, comply with current European emissions standards
- Direct injection with turbo charger (charge air cooling on WX125)
- Water-cooled, low-consumption and low-exhaust compliant to EU directive
- Automatic battery main switch (coupled to ignition key)
- Pump Management System
- Hydraulic servo control
- Single pump hydraulic load sensing system with two service pumps
- Engine and pump monitoring by power limit control
- 6 selectable gears; maximum travel speed 33 Km/h
- Encased ball bearing slew ring with long-life lubrication
- Swing drive with low-wearing disc brake
- Noise-insulated and flexibly mounted cabin in soft design
- Tinted safety glazing all around, full up and over windscreen
- Sun blinds, transparent roof and rain protection
- LCD with integrated error diagnosis function
- Steering column incline infinitely variable
- Ergonomic design of arm rests and foot pedals
- Driver suspension seat individually adjustable for height and incline
- Consoles adjustable for height and length
- Forward/Reverse shifting on accelerator
- Independent control of blade and each stabiliser
- Automatic axle locking system
- Travel and swing hydrostatic braking
- Centralised control of blade and stabilisers on right joystick
- Safety load hook on bucket linkage
- Patented safety valves for hoist mode
- Hydraulic system provision for hammer and shears

OPTIONS

- 4 wheel steering
- 20 km/h forward speed
- Single or twin tyres
- Dozer blade with hydraulic parallel guidance
- Stabilisers with large, lockable pads
- Transport holder for clamshell grab
- Radio with 12 V electrical auxiliary supply in cab
- Front guard
- FOPS protection for cab
- Air conditioning
- Electric diesel filling system
- Cold starting kit
- Biodegradable oil
- Rotating beacon
- Piping for hammer and shears

Standard and optional equipment shown can vary by country.

Worldwide Case Construction Equipment Contact Information

EUROPE/AFRICA/MIDDLE EAST:
Centre D'affaires EGB
5, Avenue Georges Bataille - BP 40401
60671 Le Plessis-Belleville - FRANCE

NORTH AMERICA/MEXICO:
700 State Street
Racine, WI 53404 U.S.A.

LATIN AMERICA:
Av. General David Sarnoff 2237
32210 - 900 Contagem - MG
Belo Horizonte BRAZIL

ASIA PACIFIC:
Unit 1 - 1 Foundation Place - Prospect
New South Wales - 2148 AUSTRALIA

CHINA:
No. 29, Industrial Premises, No. 376,
De Bao Road, Waigaoqiao Ftz, Pudong,
SHANGHAI, 200131, P.R.C.

NOTE: Standard and optional fittings can vary according to the demands and specific regulations of each country. The illustrations may include optional rather than standard fittings - consult your Case dealer. Furthermore, CNH reserves the right to modify machine specifications without incurring any obligation relating to such changes.

Case Construction Equipment

CNH UK Ltd.
Armstrong House
The Finningley Estate
Hayfield Lane
Doncaster
DN9 3XA
Fax +44 (0)1302 802126

www.casece.com

CASE
CONSTRUCTION



Conforms to directive 98/37/CE