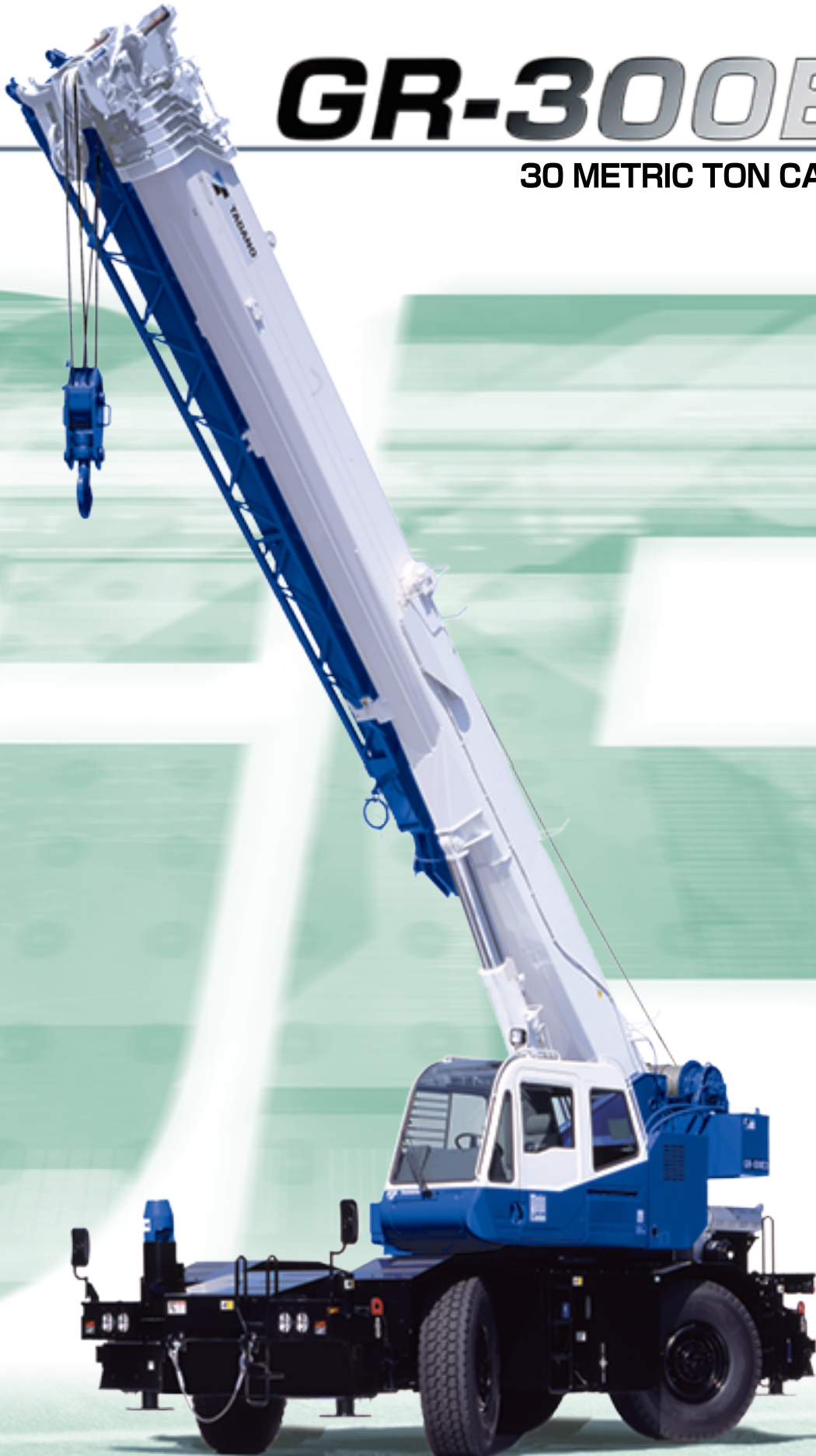


ROUGH TERRAIN CRANE

GR-300EX

30 METRIC TON CAPACITY



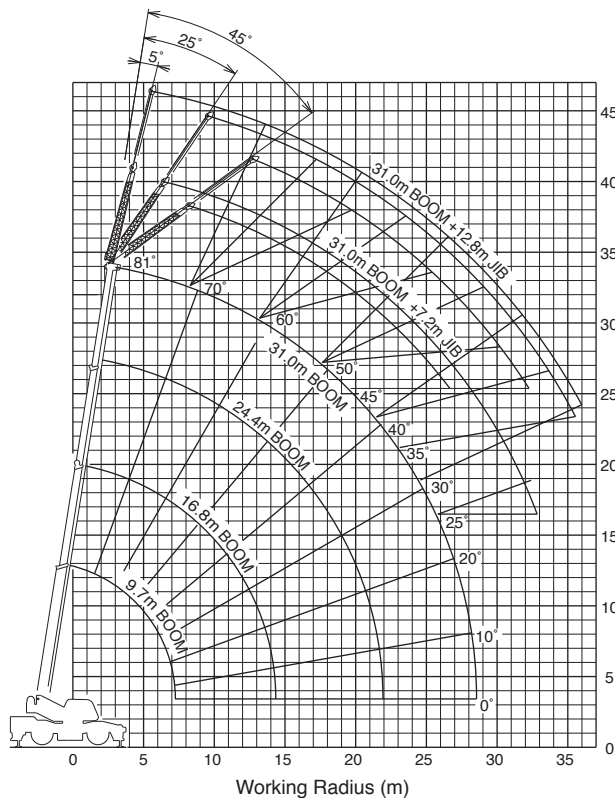
MODEL : GR-300EX

SPECIFICATIONS

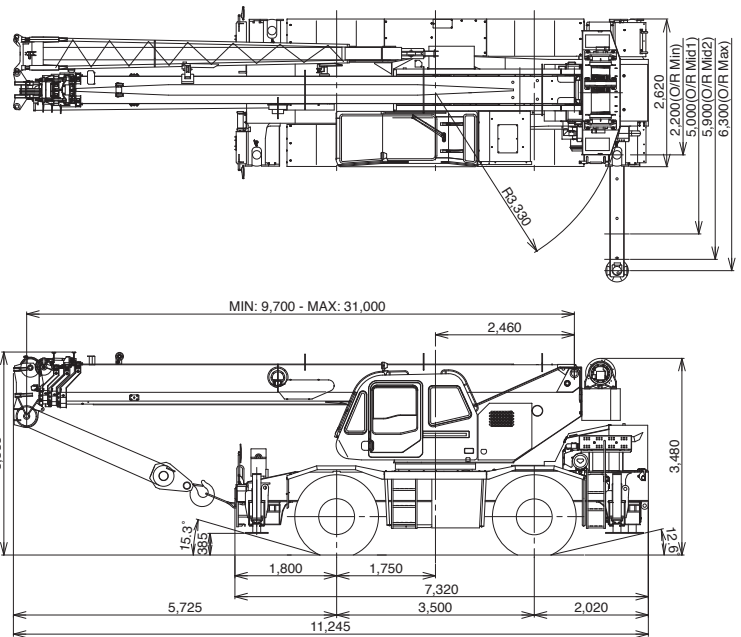
| | |
|---------------------------|---|
| MAXIMUM CAPACITY | 30,000 kg at 3.0 m |
| TRAVELING SPEED(MAX.) | 47 km/h * 20 km/h * EUROSPEC |
| GRADEABILITY (TAN θ) | 93 % (at stall) |
| WEIGHT Gross vehicle mass | 26,940 kg * 26,900kg |
| -front axle | 13,640 kg * 13,150kg |
| -rear axle | 13,300 kg * 13,750kg * EUROSPEC |
| MIN. TURNING RADIUS | 9.55 m (2-wheel steering), 5.7 m (4-wheel steering) (at center of extreme outer tire) |
| BOOM | 4-section full length power telescoping boom |
| Fully retracted length | 9.7 m |
| Fully extended length | 31.0 m |
| Extension speed | 21.3 m in 91 s |
| Elevation speed | 0° to 81° in 44 s |
| JIB | 2-staged swingaround boom extension. Triple offset (5° / 25° / 45°) type. |
| Length | 7.2 m and 12.8 m |
| MAIN WINCH | Variable speed type with grooved drum driven by hydraulic axial piston motor |
| Single line pull | 38.2 kN {3,900 kgf} * 39.2kN {4,000kgf} |
| Single line speed | 118 m/min. (at the 4th layer) |
| Wire rope | 16 mm (Diameter) * EUROSPEC |
| AUXILIARY WINCH | Variable speed type with grooved drum driven by hydraulic axial piston motor |
| Single line pull | 38.2 kN {3,900 kgf} * 39.2kN {4,000kgf} |
| Single line speed | 118 m/min. (at the 4th layer) |
| Wire rope | 16 mm (Diameter) * EUROSPEC |
| SWING speed | 2.7 min ⁻¹ {rpm} |
| Tail swing radius | 3,330mm |
| HYDRAULIC SYSTEM | Pumps ... 2 variable piston pumps for telescoping, elevating and winches. Tandem gear pump for steering, swing and optional equipment. Control valves... Multiple valves actuated by pilot pressure with integral pressure relief valves. Circuit ... Equipped with air cooled type oil cooler. Oil pressure appears on AML display for main circuit. Hydraulic oil tank capacity... approx. 380 liters |

| | |
|---------------------------------|---|
| TADANO Automatic Moment Limiter | Main unit in crane cab gives audible and visual warning of approach to overload. Automatically cuts out crane motions before overload. The AML monitors each outrigger extended length and automatically programs the corresponding "RATED LIFTING CAPACITY" table. With working range (load radius and /or boom angle and /or tip height and /or swing range) limit function. Automatic Speed Reduction and Soft Stop function on boom elevation and swing. The following functions are displayed. •Moment as percentage •Permissible load •Actual hook load •Boom length •Boom angle •Load radius •Jib offset angle •Potential hook height •Swing angle •Number of parts of line of rope •Boom position indicator •Outrigger position or on-tire indicator •Main hydraulic pressure |
| OUTRIGGERS | 4-hydraulically operated H-type outriggers. Each outrigger controlled simultaneously or independently from the cab. Equipped with extension width detector for each outrigger. Fully ... 6,300 mm, Middle ... 5,900 mm & 5,000mm Minimum ... 2,200 mm, Float size (Diameter) ... 400 mm |
| Extended width | |
| CARRIER | Rear engine, left hand steering, driving axle 2-way selected type (by manual switch). 4 x 2 front drive, 4 x 4 front and rear drive. |
| ENGINE | Model.....Cummins QSB6.7 [EUROMOT IIIA] Type 4 cycle, turbo charged and after cooled, 6 cylinder in line, direct injection, water cooled diesel engine. Piston displacement...6,700 cm ³ Max.output ... 160 kW{217PS} at 2,500 min ⁻¹ {rpm} Max.torque ... 843 N-m {86 kgf-m} at 1,600 min ⁻¹ {rpm} |
| TRANSMISSION | Electronically controlled full automatic transmission. |
| STEERING | Hydraulic power steering controlled by steering wheel. Three steering modes available: 2-wheel front, 4-wheel coordinated, 4-wheel crab |
| SUSPENSION | Semi-elliptic leaf springs with hydraulic lockout device. |
| TIRES | 445 / 95 R 25(OR), Single x 4 |
| FUEL TANK CAPACITY | 300 liters |

WORKING RANGE



DIMENSION



Continuing technical development requires Tadano to retain the right to make specifications, equipment and price changes without notice.

*Some specifications are subject to change



TADANO LTD. (International Division)

4-12, Kamezawa 2-chome, Sumida-ku Tokyo 130-0014, Japan

Tel: 81-3-3621-7750 Fax: 81-3-3621-7785

http://www.tadano.co.jp/indexe.htm E-mail: tdnihq@tadano.co.jp

