



Submersible heavy-duty pumps for construction,
tunneling, mining and other industries



Drainage pumps:

- Minex
- Minette
- Minor
- Major
- Master
- Matador

- Master SH
- Maxi
- Magnum

Sludge pumps:

- Salvador
- Senior
- Sandy

60 Hz



Spend less per gpm pumped

Just like our pumps spend most of their life hidden below the water surface, the greater part of total pumping cost is usually also hidden. In most cases, installation, operation and servicing costs easily outweigh the cost of acquisition. Let our pumps drain water, not your wallet.

Pump Unique features



Installing
Plug and pump



Operation
Lasting performance



Checking
Avoid costly repairs



Easy maintenance
Service one service all



Translating user requirements into product features

After some 50 years of designing and manufacturing submersible electrical dewatering pumps and listening to customers, Grindex now offers a completely new generation of drainage and sludge pumps.

The nine new pumps in the range have an output of 2-27 HP and cover almost any application within building and construction, mining, quarries and tunneling as well as municipal and other demanding industries. The new pumps are designed to dramatically reduce operational costs.

They offer all the benefits you have come to expect from Grindex pumps:

- Reliability thanks to:
 - Air valve that cools the pump should it run dry.
 - SMART motor protection system, protects the pump from damage caused by different power failures.
- All in the head:
 - Built-in start equipment in almost all pumps, no need for external start equipment.

On top of that, we have added some new features:

- New hydraulic design:
 - Several solutions that minimize wear, makes the pumps at least three times more wear resistant.
- Fewer components:
 - Makes inspection and service faster, easier and less expensive.
- Ergonomic design:
 - Simplifies the pump handling.

Grindex – Trouble-free dewatering



Air valve
Cools the pump should it run dry



Wear Protector system
Provides better wear resistance



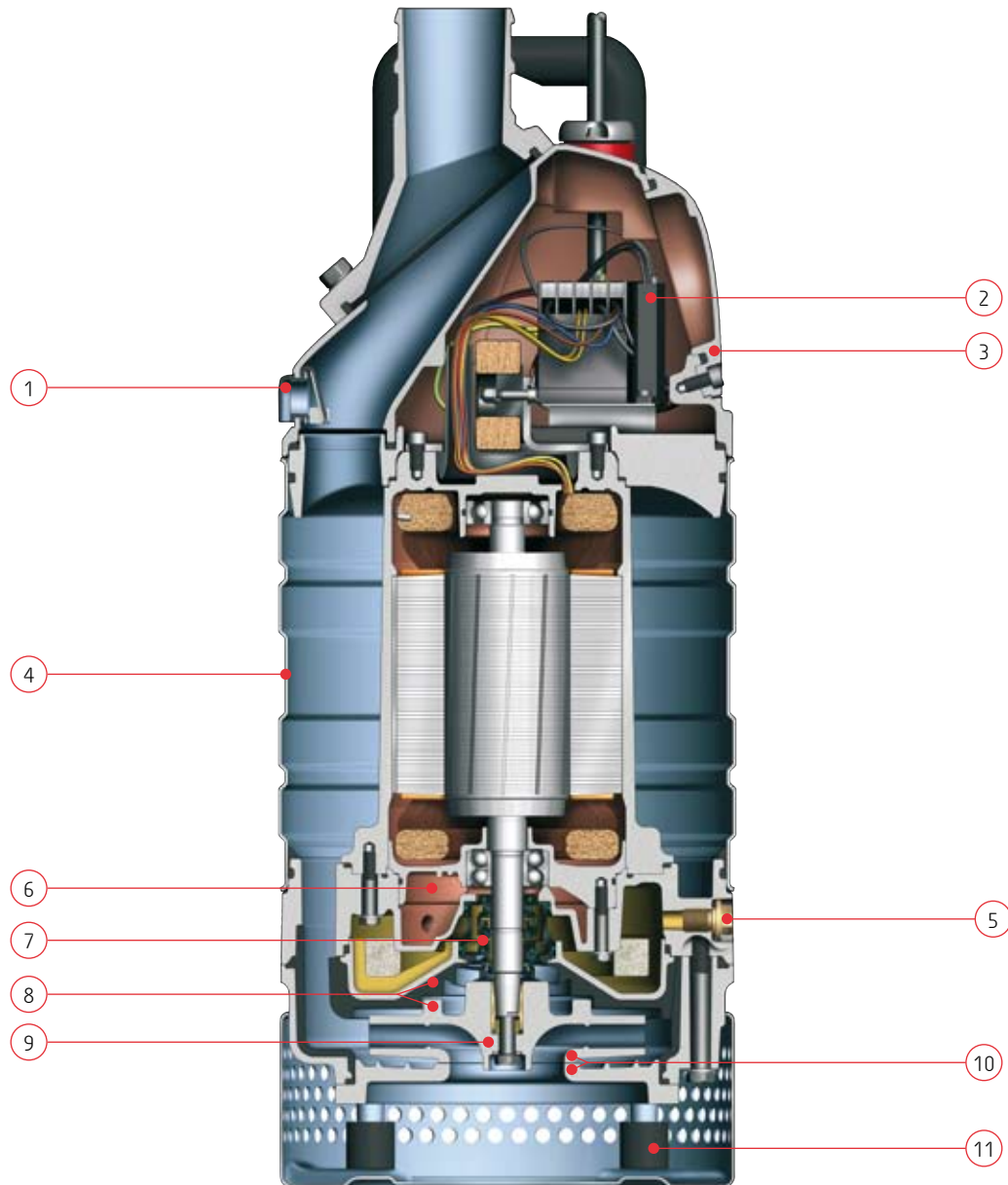
Built-in start equipment
Plug and pump



Easy to service
Lasting performance



This is what makes our drainage pumps unique

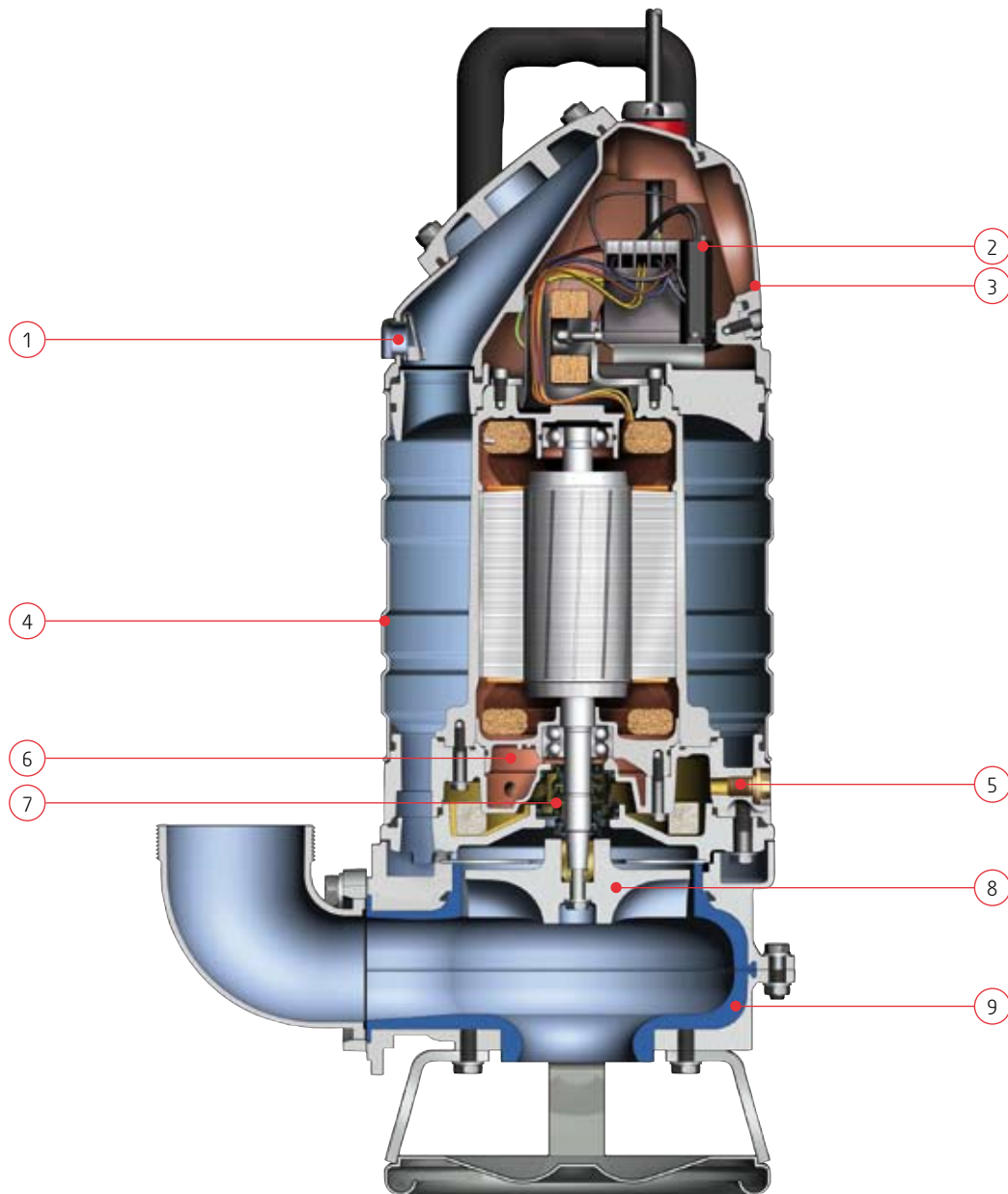


MINEX – MATADOR

- | | | |
|---|--|---|
| 1 Air valve
Cools the pump should it run dry | 5 External oil plug
Easier to check and change oil | 9 Single adjustment screw
Easy to adjust the impeller for optimal performance |
| 2 SMART motor protection
Protects the pump from damage caused by different power failures | 6 Inspection chamber
Provides early indication of seal problem | 10 Wear Protector system
Provides better wear resistance |
| 3 Inspection cover
For easy inspection of electrical components | 7 Cartridge seal
Pre-assembled, faster and easier to mount | 11 Rubber shock absorbers
Gives superior impact protection |
| 4 Outer casing in corrugated stainless steel
Handles rough treatment | 8 Seal Saver system
Reduces seal wear | |



This is what makes our sludge pumps unique



SALVADOR – SANDY

- | | | |
|---|---|---|
| 1 Air valve
Cools the pump should it run dry | 4 Outer casing in corrugated stainless steel
Can handle rough treatment | 7 Cartridge seal
Pre-assembled, faster and easier to mount |
| 2 SMART motor protection
Protects the pump from damage caused by different power failures | 5 External oil plug
Easier to check and change oil | 8 Vortex impeller
Clog resistant |
| 3 Inspection cover
For easy inspection of electrical components | 6 Inspection chamber
Provides early indication of seal problem | 9 Polyurethane lined pump housing
Provides better wear resistance |

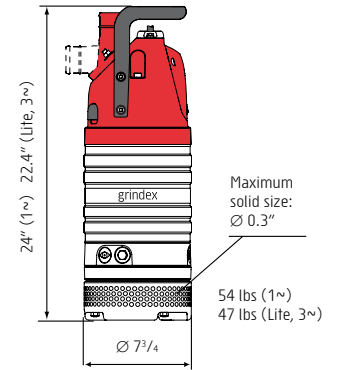
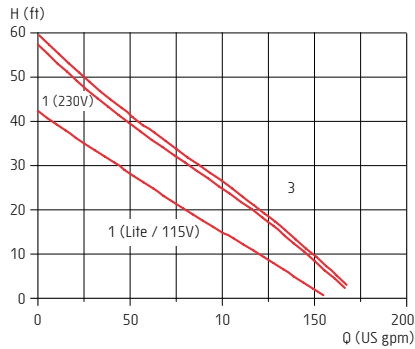


DRAINAGE PUMPS: MINEX – MINOR

MINEX

Technical data

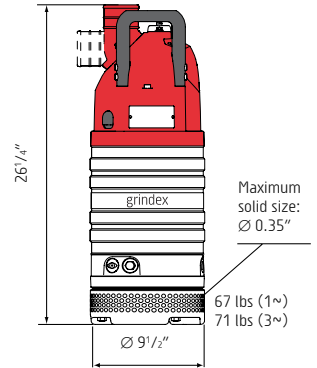
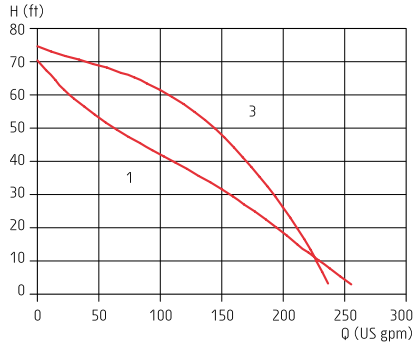
Phase	1 (Lite)	1	3
Discharge connection	2"	2"	2"
Rated output	1.3 HP	1.7 HP	1.9 HP
Max power consumption	1.3 kW	1.6 kW	1.8 kW
Shaft speed	3400 RPM	3460 RPM	3330 RPM
Rated current at 115 V	11 A	-	-
Rated current at 230 V	5.6 A	7.4 A	5.2 A
Rated current at 460 V	-	-	2.6 A



MINETTE

Technical data

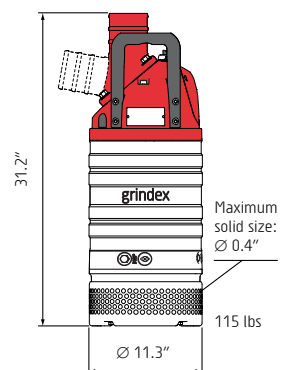
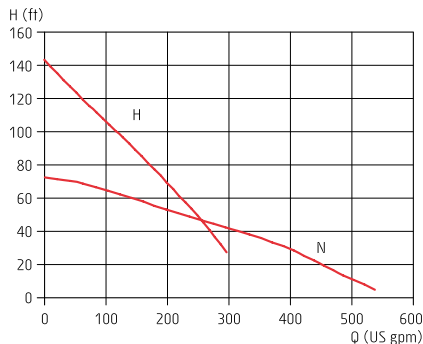
Phase	1	3
Discharge connection	3"	3"
Rated output	2.4 HP	3.5 HP
Max power consumption	2.2 kW	3.1 kW
Shaft speed	3420 RPM	3410 RPM
Rated current at 230 V	9.9 A	9.5 A
Rated current at 460 V	-	4.7 A



MINOR

Technical data

	N	H
Discharge connection	4"	3"
Rated output	6.0 HP	6.0 HP
Max power consumption	5.2 kW	5.2 kW
Shaft speed	3500 RPM	3500 RPM
Rated current at 460 V	7.3 A	7.3 A
Rated current at 575 V	5.8 A	5.8 A



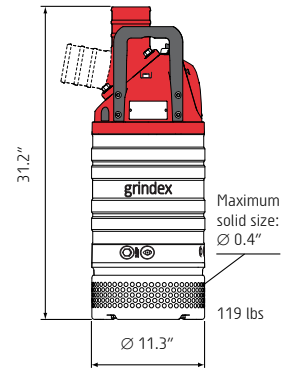
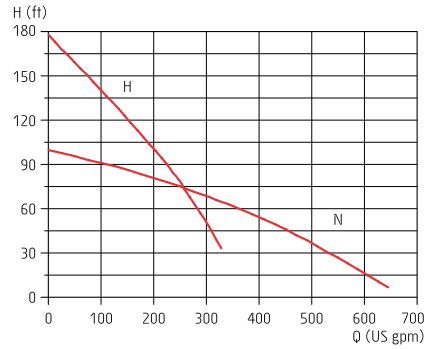


DRAINAGE PUMPS: MAJOR – MATADOR

MAJOR

Technical data

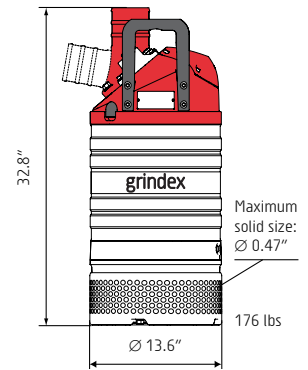
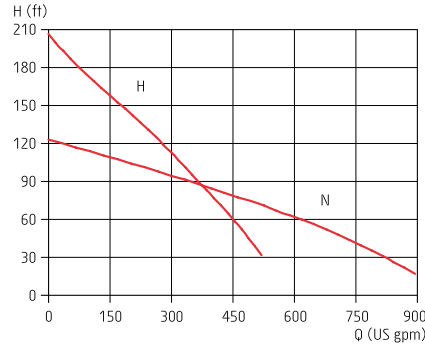
	N	H
Discharge connection	4"	3"
Rated output	8.9 HP	8.9 HP
Max power consumption	7.7 kW	7.7 kW
Shaft speed	3500 RPM	3500 RPM
Rated current at 460 V	11 A	11 A
Rated current at 575 V	8.5 A	8.5 A



MASTER

Technical data

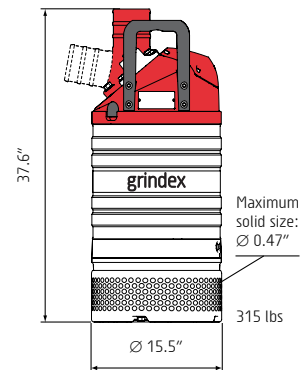
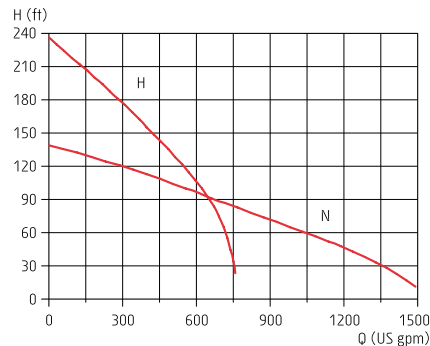
	N	H
Discharge connection	6"	4"
Rated output	15 HP	15 HP
Max power consumption	13 kW	13 kW
Shaft speed	3465 RPM	3465 RPM
Rated current at 460 V	18 A	18 A
Rated current at 575 V	14 A	14 A



MATADOR

Technical data

	N	H
Discharge connection	6"	4"
Rated output	27 HP	27 HP
Max power consumption	22 kW	22 kW
Shaft speed	3500 RPM	3500 RPM
Rated current at 460 V	31 A	31 A
Rated current at 575 V	25 A	25 A



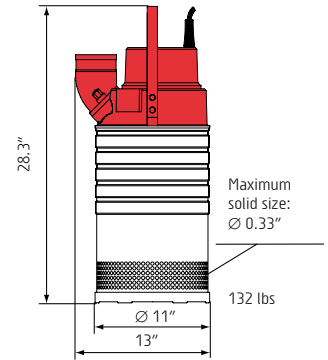
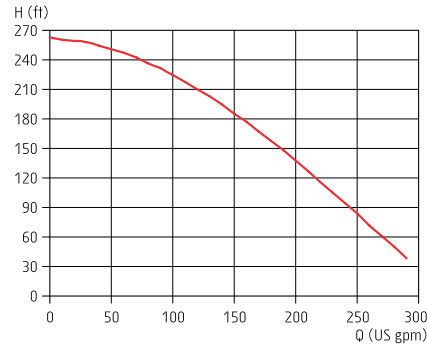


DRAINAGE PUMPS: MASTER SH - MAGNUM

MASTER SH

Technical data

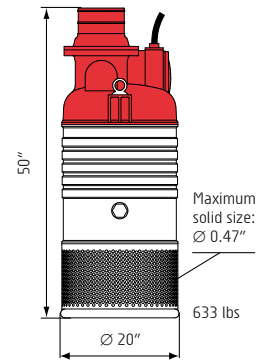
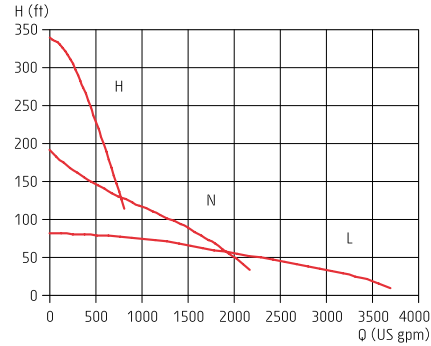
Discharge connection	3"
Rated output	14.1 HP
Max power consumption	12 kW
Shaft speed	3440 RPM
Rated current at 460 V	16 A
Rated current at 575 V	13 A



MAXI

Technical data

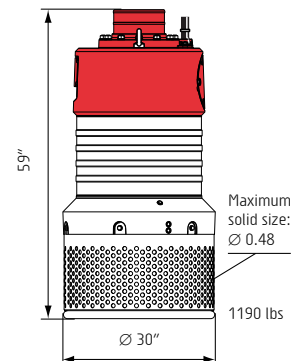
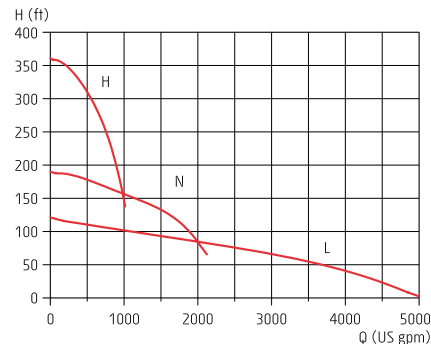
	L	N	H
Discharge connection	8"	8"	4"
Rated output	50 HP	58 HP	58 HP
Max power consumption	42 kW	48 kW	48 kW
Shaft speed	1765 RPM	3545 RPM	3545 RPM
Rated current at 460 V	64 A	65 A	65 A
Rated current at 575 V	48 A	52 A	52 A



MAGNUM

Technical data

	L	N	H
Discharge connection	10"	8"	6"
Rated output	85 HP	85 HP	85 HP
Max power consumption	73 kW	73 kW	75 kW
Shaft speed	1770 RPM	1770 RPM	3540 RPM
Rated current at 460 V	107 A	107 A	100 A
Rated current at 575 V	85 A	85 A	81 A



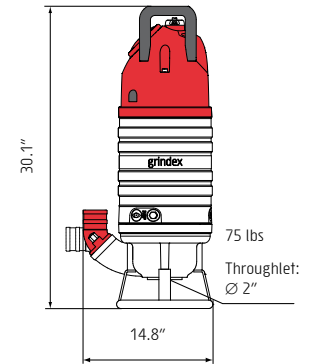
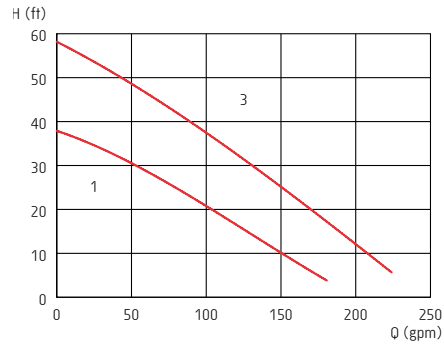


SLUDGE PUMPS: SALVADOR – SANDY

SALVADOR

Technical data

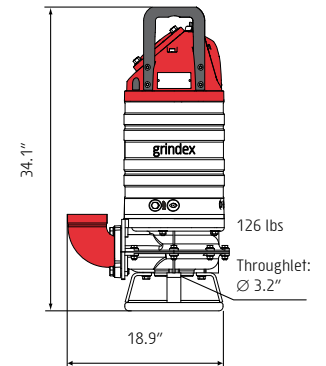
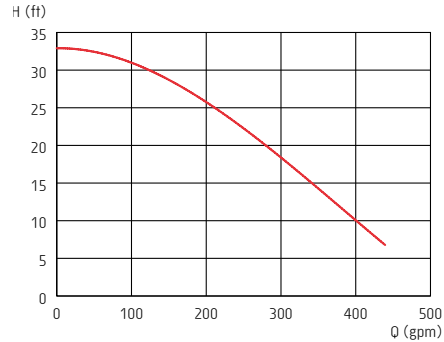
	1	3
Phase	1	3
Discharge connection	3"	3"
Rated output	2.4 HP	3.5 HP
Max power consumption	2.2 kW	3.1 kW
Shaft speed	3420 RPM	3420 RPM
Rated current at 230 V	9.9 A	9.5 A
Rated current at 460 V	-	4.7 A



SENIOR

Technical data

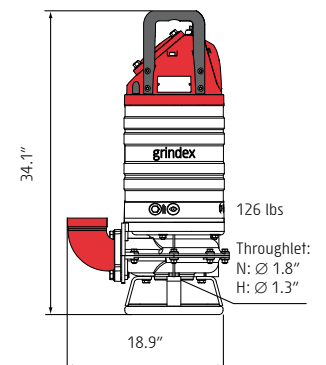
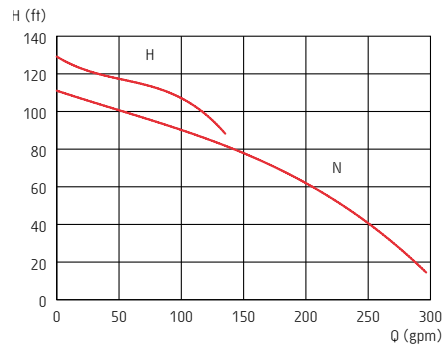
Discharge connection	4"
Rated output	6.0 HP
Max power consumption	5.7 kW
Shaft speed	1700 RPM
Rated current at 460 V	8.6 A
Rated current at 575 V	6.9 A



SANDY

Technical data

	N	H
Discharge connection	3"	3"
Rated output	8.9 HP	8.9 HP
Max power consumption	7.7 kW	7.7 kW
Shaft speed	3500 RPM	3500 RPM
Rated current at 460 V	11 A	11 A
Rated current at 575 V	8.5 A	8.5 A





Technical data

DRAINAGE PUMPS

Accessories

Zinc anodes Low suction collar
Float switch Tandem connection

(Not all accessories are available for all pump models)

Shaft seals

Cartridge seal (Minex-Matador, not including Master SH). Double mechanical shaft seals with oil compartment between the seals. Pre-assembled.

Material lower seal:

- Tungsten carbide - tungsten carbide (Minex-Magnum, not including Master SH)
- Silicon carbide - silicon carbide (Master SH)

Material upper seal:

- Tungsten carbide - ceramic (Minex, Minette, Minor, Major, Master)
- Tungsten carbide - tungsten carbide (Matador, Maxi, Magnum)
- Carbon - silicon carbide (Master SH)

Materials

Casted parts: Aluminum
Outer casing: Stainless steel

Stator housing:

- Aluminum (Minex - Master, Maxi, Magnum)
- Cast iron (Matador)

Motor shaft: Stainless steel

Impeller: Hard-Iron™

Suction cover: Hard-Iron™

Diffusers: Nitrile rubber (Maxi, Magnum; Polyurethane)

Screws and nuts: Stainless steel

O-rings: Nitrile rubber

Water specifications

Max. submersion depth: 66 ft.

Max. liquid temperature: 104°F

Max. liquid density: 68 lbs/ft³

pH of the liquid: 5-8

Specifications can be changed without notice.

SLUDGE PUMPS

Accessories

Zinc anodes
Float switch

(Not all accessories are available for all pump models)

Shaft seals

Cartridge seal (new pumps). Double mechanical shaft seals with oil compartment between the seals. Pre-assembled.

Material lower seal:

- Tungsten carbide - tungsten carbide

Material upper seal:

- Tungsten carbide - ceramic

Materials

Casted parts: Aluminum

Outer casing: Stainless steel

Stator housing:

- Aluminum

Motor shaft: Stainless steel

Impeller: Hard-Iron™

Pump housing: Polyurethane

Screws and nuts: Stainless steel

O-rings: Nitrile rubber

Water specifications

Max. submersion depth: 66 ft.

Max. liquid temperature: 104°F

Max. liquid density: 68 lbs/ft³

pH of the liquid: 5-8

Specifications can be changed without notice.





Whatever your pumping demands are, Grindex has the solution

Grindex pumps are designed for continuous, unattended operation. For 50 years, they have proven their reliable and dependable performance in a wide range of challenging applications worldwide:

- Building and construction
- Mining
- Tunneling
- Quarries
- Industries
- Power plants
- Dry dock/off shore
- Steel mills
- Underground utilities
- Rental
- Flood relief
- Local and national government
- Agriculture



**Building and
construction**



**Mining and
tunneling**



Rental



**Quarries and other
demanding industries**



The Grindex team.

For some 50 years, Grindex has specialized in designing and manufacturing electrical submersible pumps for professionals. Durable and dependable, they are used in the most demanding and specialized applications worldwide. We have delivered over 300,000 pumps in more than 100 countries.

We offer pumps for almost any application. Our range includes drainage pumps, sludge pumps, slurry pumps and stainless steel pumps.

When you are running a Grindex pump, you can rest assured that a dedicated team is watching your back. Our experts are always there to see to your every need. Through our global network of sales and service centers, we provide the best level of support possible – day and night, seven days a week.

It's all part of the service.

For more information, please visit www.grindexpumps.com