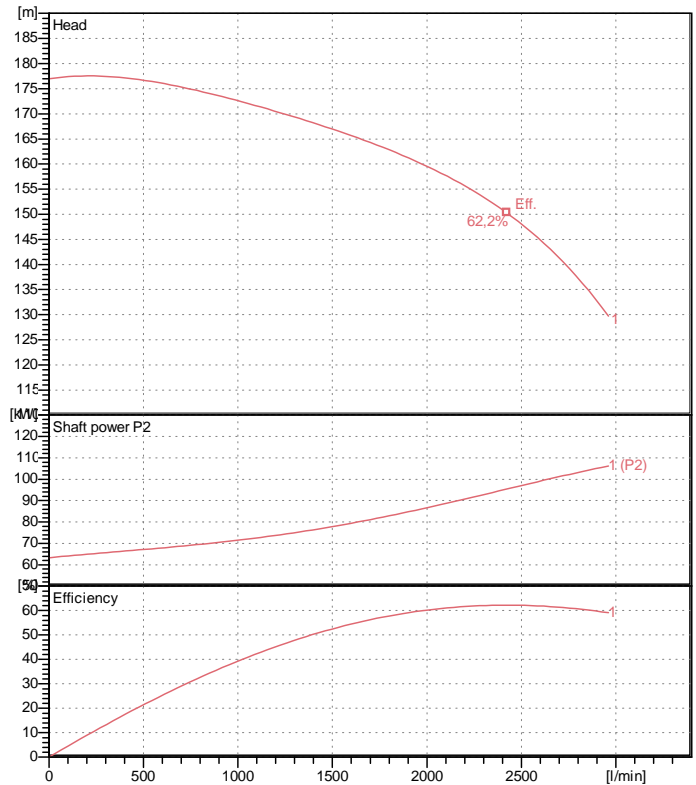
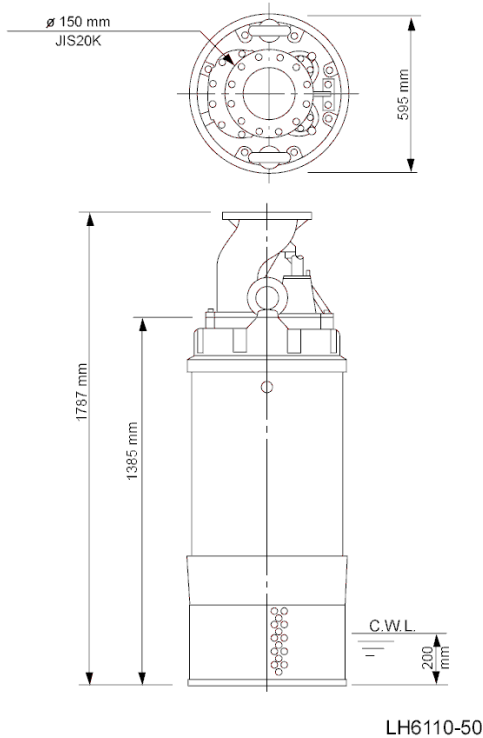


Data sheet LH6110-50



Specification

Electric submersible pump
 Degree of protection IP 68
 Depth of submersion max. 50 m
 Type of impeller Closed
 Max. solid handling 6 mm
 Suitable for:
 rain water, ground water, sand water

Electric motor

Dry-type submersible induction motor
 Insulation class F 2Poles 2920 1/min
 Starting mode Star-delta
 Rated voltage 400 V 50 Hz 3~
 Power uptake 117,02 kW
 Rated power 110,00 kW
 Rated current 205 A
 Start current 1340,7 A

Cable

20m 3Cx38mm²/ 3Cx38mm²/ 1Cx22mm²/ 3Cx2mm²

Motor Protection

Miniature protector in windings
 (snap-action bi-metal device)

Shaft seal

Leak sensor in oil chamber
 Double inside mechanical seal in oil bath
 additional lubrication by oil lifting device
 Primary seal
 Silicon carbide on silicon carbide
 Secondary seal
 Silicon carbide on silicon carbide

Bearings

Shielded ball bearings, maintenance-free

Materials

Impeller	Chromium iron casting
Upper Pump casing	FC200 (EN-GJL-200)
Lower Pump casing	FC200 (EN-GJL-200)
Wear Ring	Chromium iron casting
Motor Frame	FC200 (EN-GJL-200)
Shaft	Stainless steel SUS420J2

Discharge size

150mm JIS20K flange

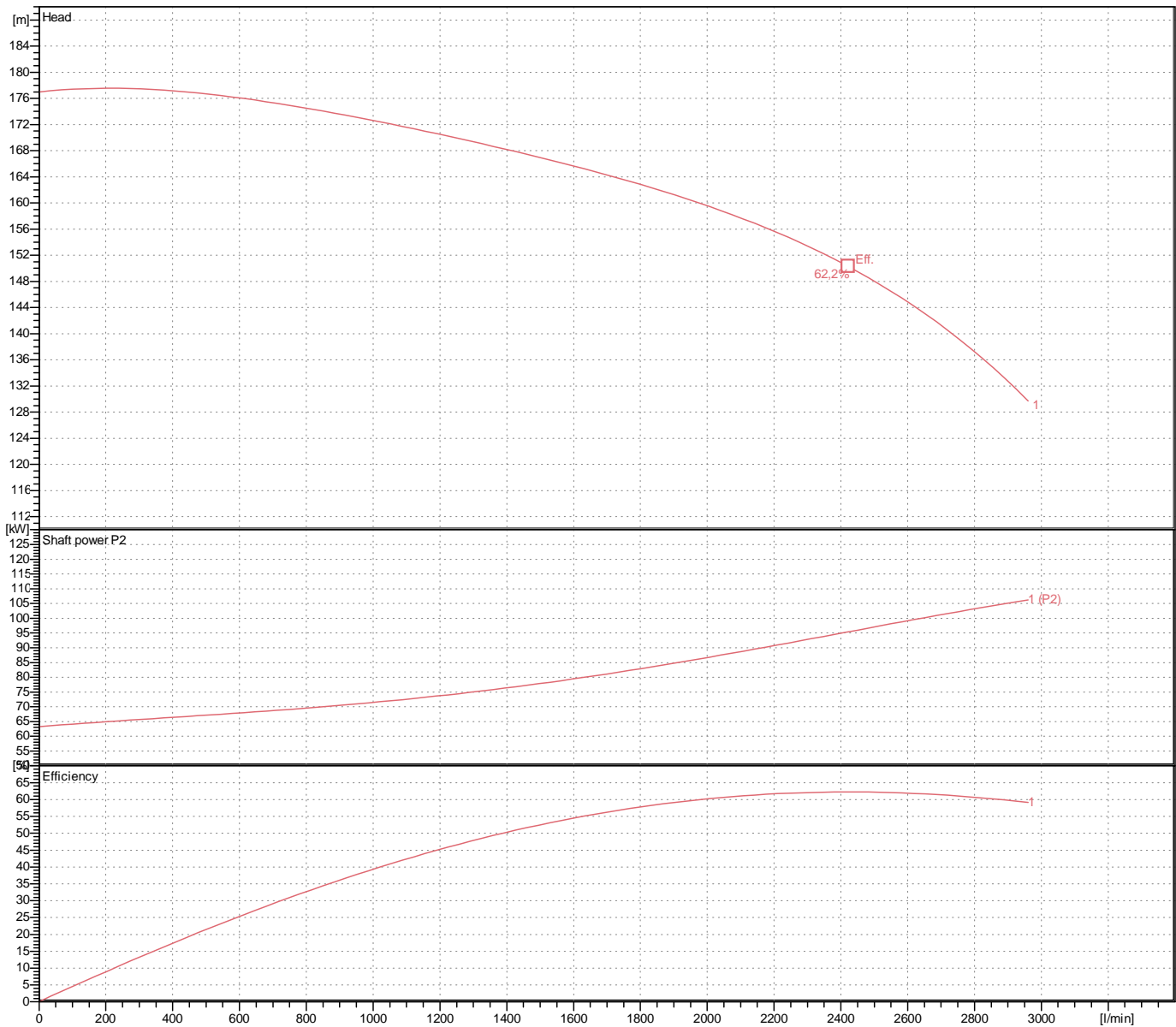
Weight

1200 kg (dry weight of the pump only without cable)

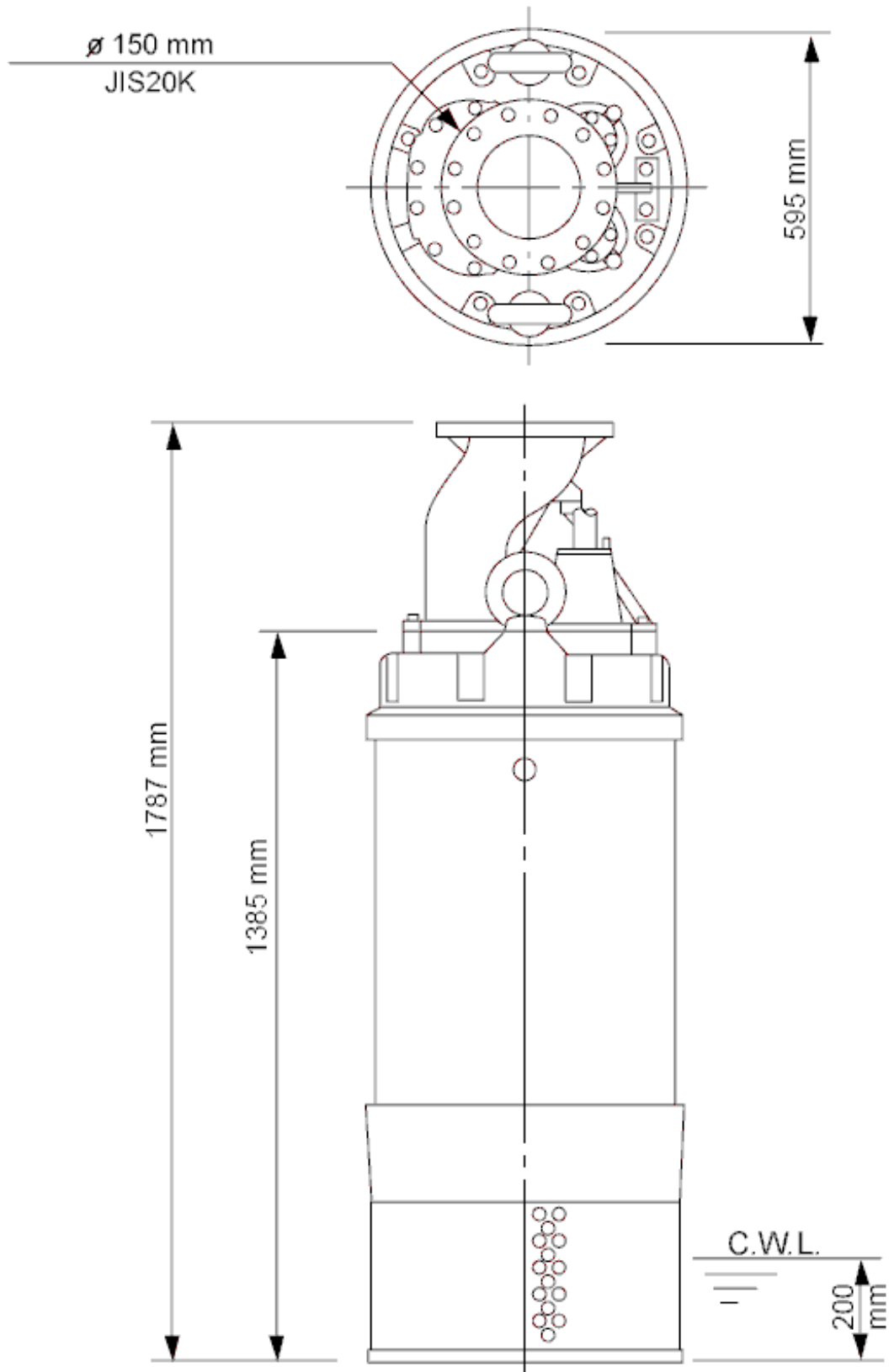
Performance curve

LH6110-50

Discharge port	6"
Head	177,0 m
Flow	2960,7 l/min
Rated power	110,00 kW
Power input	117,02 kW
Phases	3~
Voltages	400 V
Frequency	50 Hz
Rated current	205 A
Starting current	1.340,70 A
Number of poles	2
Speed	2920 1/min
Starting mode	Star-delta
Insulation class	F



Dimensions LH6110-50



LH6110-50

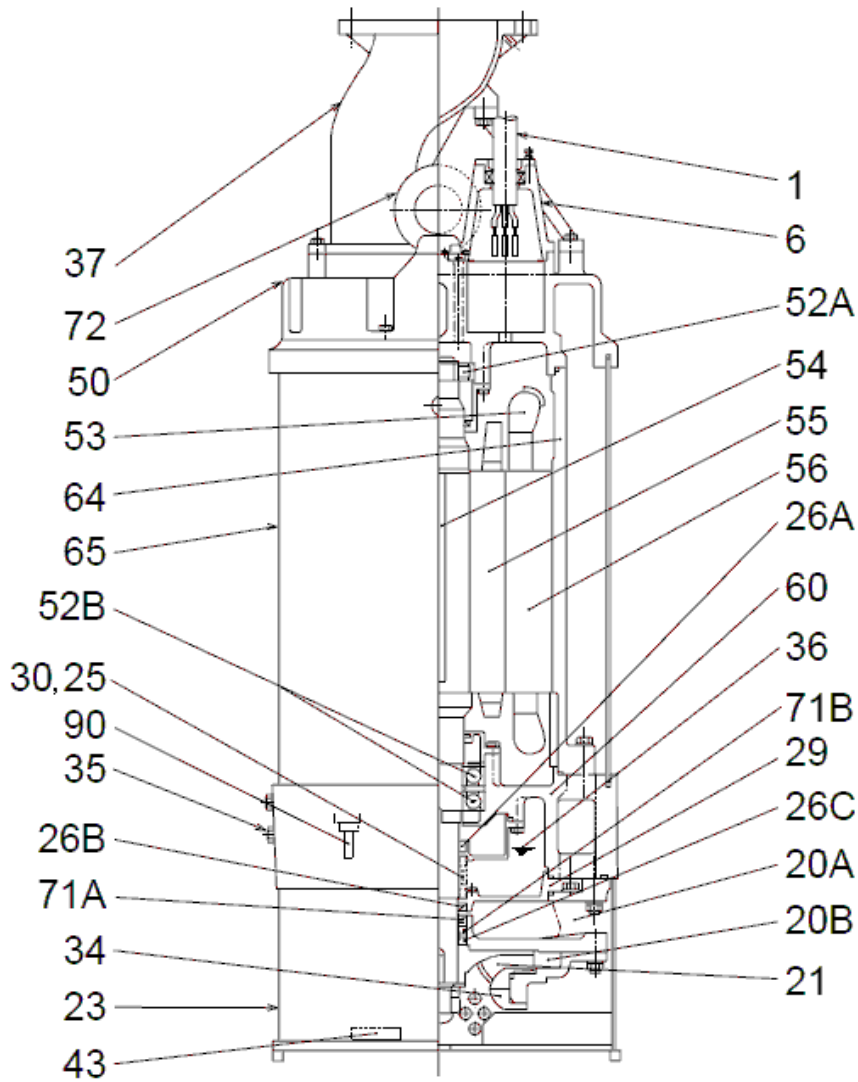
CWL: Continuous running water level
LWL: Lowest running water level

 **TSURUMI PUMP**

Tsurumi Europe GmbH
04.11.2011 V.14/29.09.2011

Heltofer Str. 14 * 40472 Düsseldorf * Germany
Tel.: +49-211-4179373 sales@tsurumi.eu
Fax: +49-211-4791429 www.tsurumi.eu

Sectional drawing LH6110-50



LH6110-50

No.	Denomination	Remark	No.	Denomination	Remark
1	Cable	20m 7Cx38mm ² / 3Cx38mm ²	43	Sacrificial anode (3x)	Aluminium alloy
6	Stuffing box	FC200 (EN-GJL-200)	50	Motor cover	FC200 (EN-GJL-200)
20A	Upper Pump casing	FC200 (EN-GJL-200)	52A	Upper bearing	NU312C3
20B	Lower Pump casing	FC200 (EN-GJL-200)	52B	Lower bearing	7313ADB
21	Impeller	Chromium iron casting	53	Miniature protector (3x)	.
23	Strainer	Construction steel SS400	54	Shaft	Stainless steel SUS420J2
25	Mechanical seal	H-50T	55	Rotor	.
26A	Oil seal	TC60759	56	Stator	.
26B	Oil seal	TC557812	60	Bearing Housing	FC200 (EN-GJL-200)
26C	Labyrinth ring only	Stainless steel SUS403	64	Motor Frame	FC200 (EN-GJL-200)
29	Oil casing	FC200 (EN-GJL-200)	65	Outer Cover	Construction steel SS400
30	Oil distributor	Plastic	71A	Upper shaft protection sleeve	Stainless steel SUS403
34	Wear Ring	Chromium iron casting	71B	Lower shaft protection sleeve	Stainless steel SUS403
35	Oil screw (2x)	Stainless steel SUS403	72	Eye screw	Construction steel SS400
36	Lubricant	Turbine oil (ISO VG32)	90	Density sensor	.
37	Pressure socket	FCD700 (EN-GJS-700-2)			