

ENERGY IN BALANCE WITH NATURE

Heizohack®



**HM 4/6-300**



**HM 6-300 VM**



**HM 5/6/8-400**



**HM 8-500 K**



**HM 10-500 K**



**HM 14-800 K**



**HM 10-500 KT  
HM 14-800 KT**



**HM 14-800 KL**

Each of our chippers is equipped with an on board hydraulic system. This guarantees a reliable in-feed of the chip material produced by a speed reduced hydraulic motor.

Each series of chippers are standard equipped with a special adapter unit designed to quickly and easily change blades simply by loosening a bold main lock-bolt.



**Heizohack®**

**HM 4-300**

**HM 6-300**

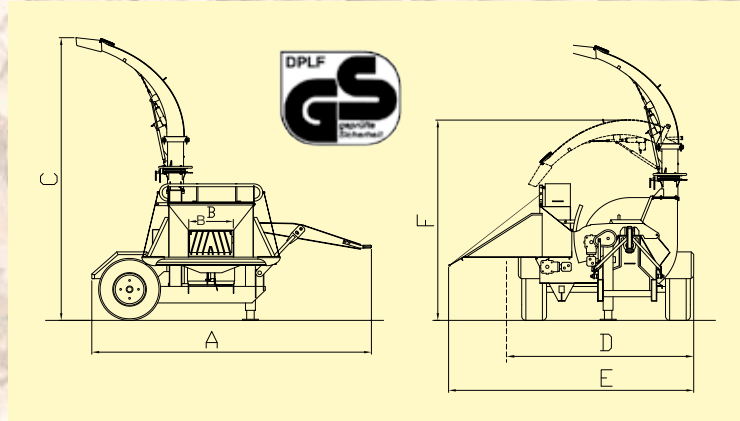
**max. trunk diameter  
30 cm / 12 in**



**The compact mobile  
series of HEIZOHACK drum chippers**

	A	B	C	D	E	F	kg
HM 4-300	3213	370	3419	2265	2965	2422	1600
HM 6-300	3382	539	3419	2265	2965	2422	1800

An in-feed height of 30 cm allows you to process bushes, branches, fence poles, saw mill waste etc., even entire tree trunks into high grade wood chips.



The HEIZOHACK in-feed remote control HE 002 adjusts the in-feed speed according to the power of the tractor drive. An integrated operation hour counter stores the operation hours per day, as well as total hours of usage. Included as well is a programmed 'quick reverse' of the trunk to free the drum.

Standard on all machines is a volumeter installed in the hydro-control casing, continuously regulating the general in-feed speed.

max. trunk diameter  
30 cm / 12 in

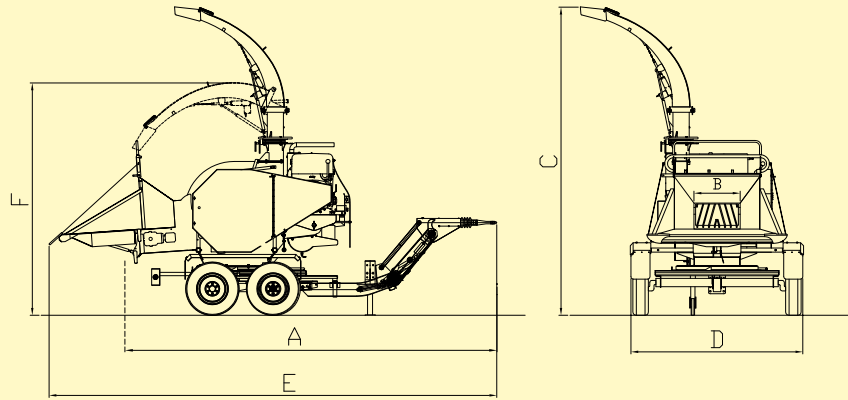


**Air cooled**  
**70 hp**  
**Hatz-Engine**

Mounted on a trailer-chassis and towed by an off-road car or small truck, the chipper can be brought quickly and easily to the work site. A turn table between chipper and chassis turns the in-feed table in the direction of the chipping material.



	A	B	C	D	E	F	kg
HM 6-300-Hatz	4520	539	3681	2110	5350	2782	3400



The performance of this motor driven chipper is unique.

A disc-drum chipper with a reliable in-feed for trunks up to a diameter of 30 cm via a steel conveyer and roller ejects high grade wood chips.



# Heizohack®

**HM 5-400**

**HM 6-400**

**HM 8-400**

**max. trunk diameter  
40 cm / 16 in**



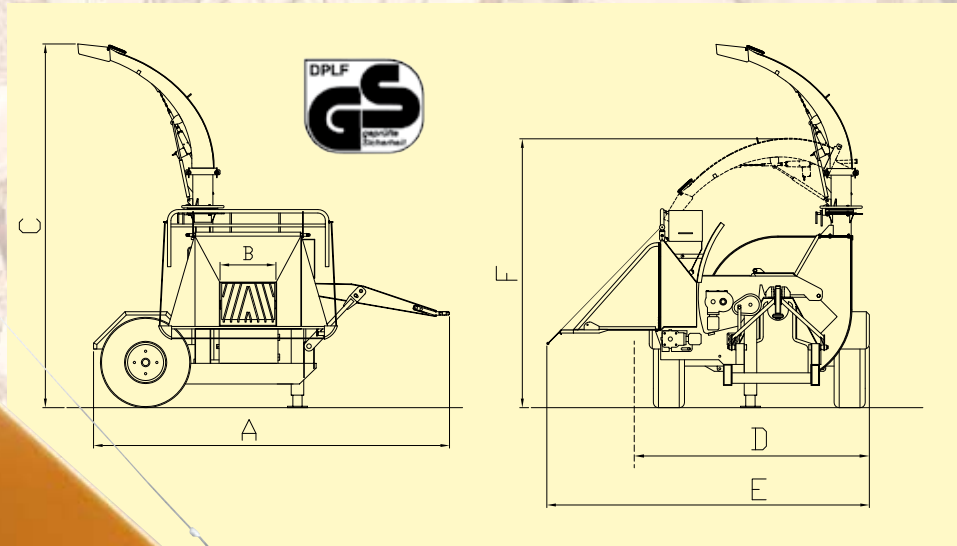
This hand-fed machine has proven its reliability and toughness a hundred times over through daily use.

The large sized ejector blower with the integrated flywheel guarantees a proper ejection of the wood chips and a powerful pull-through of the chipper drum.

Exchangeable sieves provide fine wood chips in a uniform size and optimum quality.



	A	B	C	D	E	F	kg
HM 5-400	3343	451	3502	2265	3105	2588	3000
HM 6-400	3427	539	3502	2265	3105	2588	3200
HM 8-400	3596	708	3502	2265	3105	2588	3400



In order to guarantee a safe operation while hand feeding, the machines are equipped with a solid switch bar on top of the in-feed table. A steel cable hand brake, all around the front of the in-feed table, is connected to the switch bar and will stop the in-feed of the machine from all sides in case of an emergency.



max. trunk diameter  
50 cm / 20 in



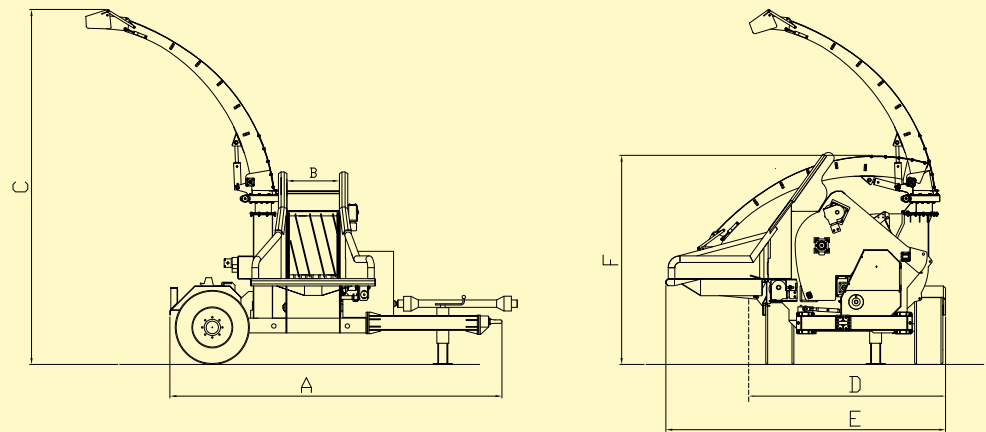
The ejector swivel with  
hydraulically driven bevel  
gear rotating assembly.

Standard equipment allows for remote controlled functions, i.e. tower rotation, lifting and lowering of the ejector tower, lifting and lowering of the in-feed table, continuous in-feed speed control through servo-hydraulics, electronic control of RPM's and machine etc.





	A	B	C	D	E	F	kg
HM 8-500 K	4610	708	4250	2624	3776	2820	6800



A 10 belt countershaft reduction gear allows powerful transmission of different ratios.



**Standard configuration:  
Hydraulic driven  
in-feed roller**

This series of machines was developed with the entrepreneur / contractor in mind to produce wood chips as a business. These powerful machines are built for crane feeding. (crane is optional)

**max. trunk diameter  
50 cm / 20 in**

This medium sized crane-fed chipper, as all „K“ series chippers, have as standard equipment fast exchange wear blades and a belt transmission gear.

Similar to its big brother HM 14-800 K, it is equipped with an electrically driven hydraulic cooler.

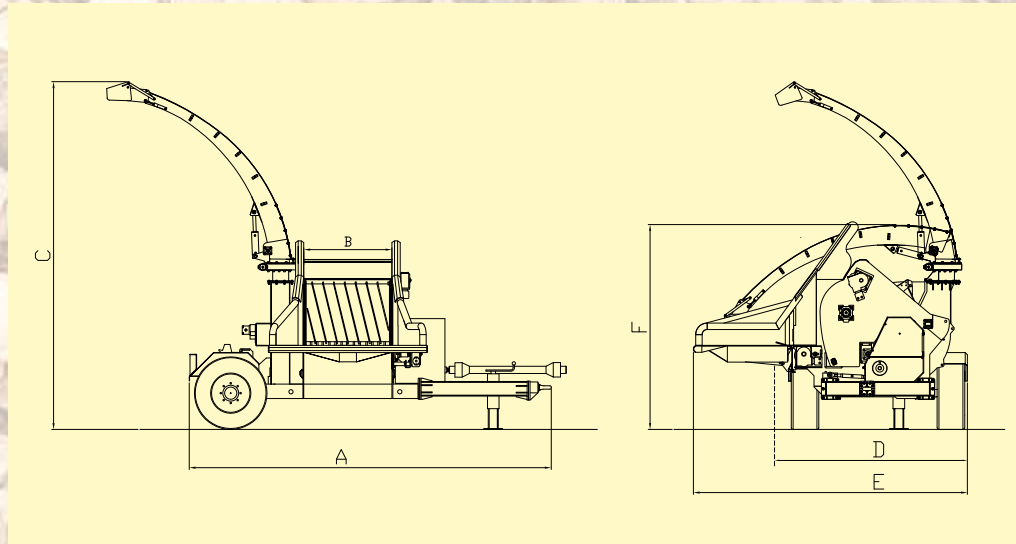


The ejector swivel with hydraulically driven bevel gear rotating assembly.



	A	B	C	D	E	F	kg
HM 10-500 K	4780	877	4790	2624	3776	2820	7400

The machine can be operated from the vehicle via the mobile remote control.



The manifold block is constructed in segments neatly arranged in a rugged steel housing. Every electrically activated valve also has a manual operation lever.



**Standard configuration:  
Hydraulic driven  
in-feed roller**



**max. trunk diameter  
50 cm / 32 in**

All hydraulically driven functions, such as the lifting and lowering of the in-feed table, and the raising, lowering and rotation of the ejector, are served by the tractor's own hydraulic system, allowing the execution of all functions while the chipper is at a stand still.

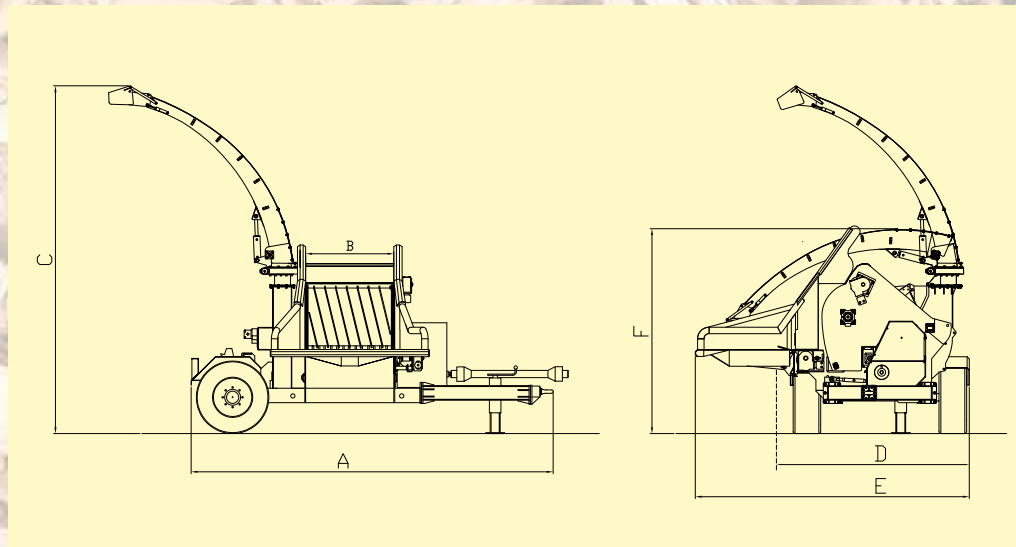
This machine can process an entire tree with a diameter of up to 500 mm and trunk pieces of approx. 800 x 1000 mm through the chipper.



The ejector swivel with hydraulically driven bevel gear rotating assembly.



	A	B	C	D	E	F	kg
HM 14-800 K	5120	1215	4790	2624	3776	2820	8500



**Standard configuration:  
Hydraulic driven  
in-feed roller**

A distinctive feature of the crane fed machine is the in-feed roller with a diameter of 80 cm and a wide open in-feed table.



**HM 10-500 KT**

**HM 14-800 KT**

**max. trunk diameter  
50 cm / 32 in**



The ejector swivel with hydraulically driven bevel gear rotating assembly.

This machine can process an entire tree with a diameter of approx. 500 mm and trunk pieces of up to 800 x 1000 mm.



**Standard configuration:  
Hydraulic driven  
in-feed roller**



The tandem axle chassis enables the mounting of a crane on this chipper.

# HM 14-800 KL *Heizohack*<sup>®</sup>



Mounted on an all-wheel drive, 320 hp Mercedes Actros, the HM 14-800 KL gets our most powerful chipper to your work site quickly. The chipper and crane are powered by the Mercedes' driving motor via an auxiliary drive of the gear box all controlled from inside the cabin.



ENERGY IN BALANCE WITH NATURE

# Heizohack®

Maicha facility



Heidenheim facility



Heizomat®

Heizohack®

Heizotrans®

Heizoschneck®

Heizospan®

Heizobaum®

Heizogreif®

Heizohand®

Heizostrom®

## Heizomat®

Heizomat manufactures heating systems utilizing wood chips starting from 15KW to 3MW. Get in touch with us and we will help you plan and build your project. The complete product line can be seen on our website.

### Where to find us...



Our partner

# Heizomat®

Heizomat Gerätebau - Energiesysteme GmbH  
Maicha 21, D-91710 Gunzenhausen  
Tel. +49 (0 98 36) 97 97-0, Fax +49 (0 98 36) 97 97-97  
[www.heizomat.de](http://www.heizomat.de), [info@heizomat.de](mailto:info@heizomat.de)

proFORM  
Tel. 098 54/6 09 - Fax 14 74