

Hiab XS 322 R

Capacity 32 tm



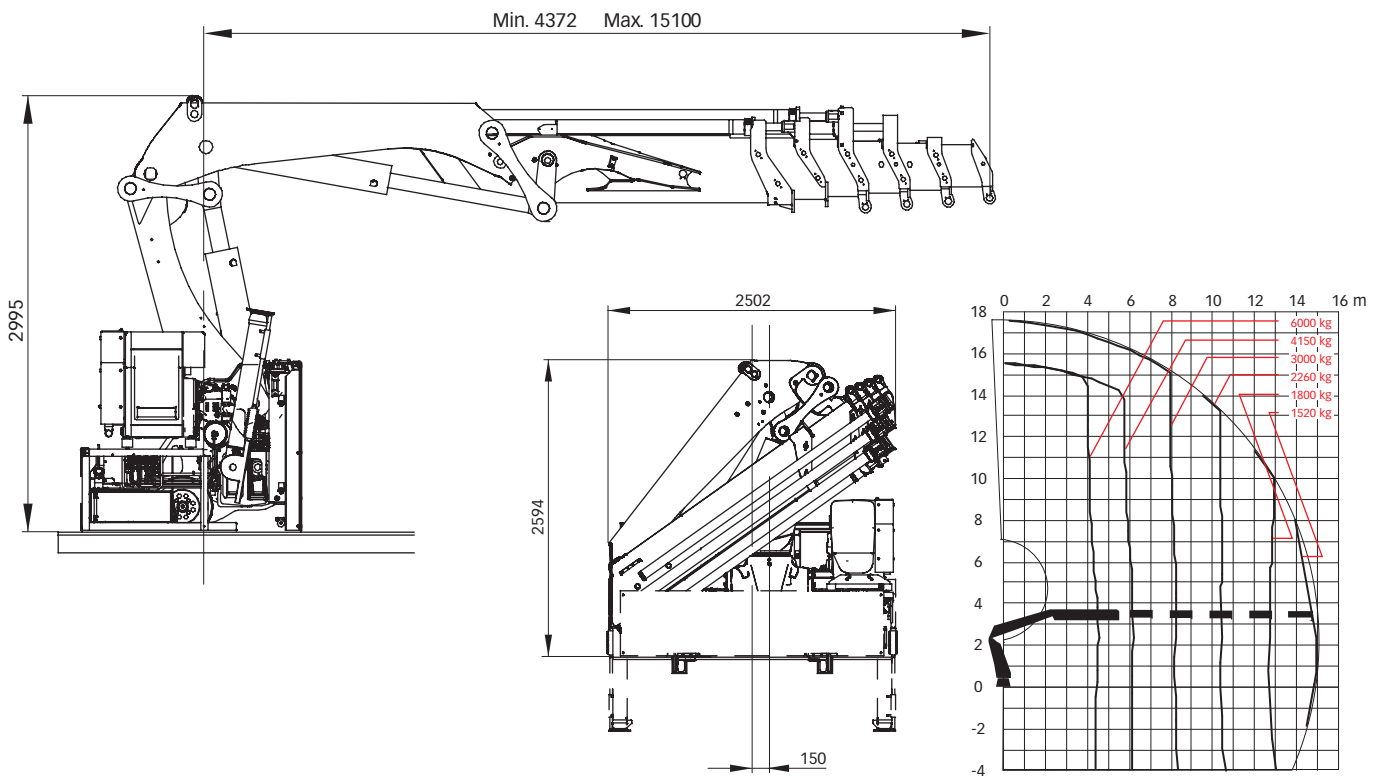
Hiab XS 322 R Basic data

Technical data

	EP-2 Duo	EP-3 Duo	EP-2 HiPro	EP-3 HiPro	EP-4 HiPro	EP-5 HiPro
Max. lifting capacity (kNm)	281	275	309	303	297	293
Outreach - hydraulic extensions (m)	8.0	10.3	8.0	10.3	12.7	15.1
Outreach / Lifting capacity, standard (m / kg)	2.7 / 10000	2.7 / 10000	3.0 / 10000	3.0 / 10000	3.0 / 10000	3.0 / 10000
	4.2 / 6800	4.3 / 6500	4.2 / 7500	4.3 / 7200	4.4 / 6900	4.5 / 6600
	5.9 / 4850	6.0 / 4600	5.9 / 5400	6.0 / 5100	6.1 / 4850	6.2 / 4650
	7.9 / 3650	8.0 / 3400	7.9 / 4000	8.0 / 3750	8.1 / 3550	8.2 / 3350
	-	10.2 / 2640	-	10.2 / 2940	10.3 / 2720	10.4 / 2560
	-	-	-	-	12.6 / 2200	12.7 / 2040
	-	-	-	-	-	15.0 / 1720
Slewing angle	420°	420°	420°	420°	420°	420°
Height in folded position (mm)	2594	2594	2594	2594	2594	2594
Width in folded position (mm)	2502	2502	2502	2502	2502	2502
Weight - standard version (kg)	5026*	5236*	5066*	5276*	5486*	5666*
Driving speed (m / s)	0 – 0.7	0 – 0.7	0 – 0.7	0 – 0.7	0 – 0.7	0 – 0.7

* Weight based on standard crane including 7 m stabilizer beams, long stabilizer legs and filled oil and fuel tanks.

Hiab XS 322 R EP-5 HiPro



Disclaimer. Hiab cranes have been built to meet the highest standards of safety and service life and have been thoroughly tested. Strength calculations for this model have been carried out in accordance with EN13001 in fatigue class S1. Cargotec's certified Quality Assurance System complies with ISO 9001. Some of the items in our literature may be extra equipment. Certain applications may require an official permit. We reserve the right to change technical specifications without prior notice. Hiab cranes produced for EU-countries are CE-marked and comply with the European Standard EN 12999.

Cargotec improves the efficiency of cargo flows by offering solutions for the loading and unloading of goods on land and at sea – wherever cargo is on the move. Cargotec's main daughter brands for cargo handling Hiab, Kalmar and MacGregor are global market leaders in their fields. www.cargotec.com