

Hiab 130 R

Capacity 13 tm

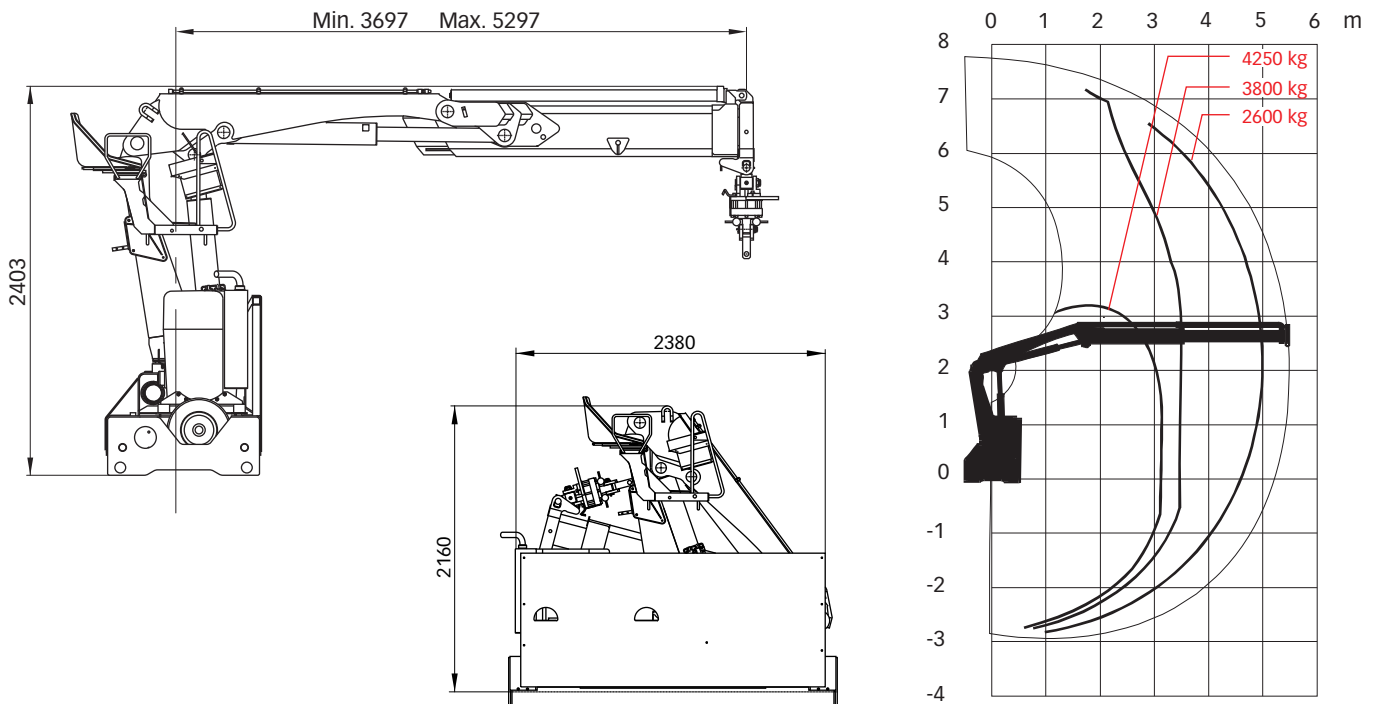


Hiab 130 R Basic data

Technical data

	130 R S-1	130 R S-2	130 R F-1	130 R F-2	130 R F-3	130 R F-4
Max. lifting capacity (kNm)	134	130	131	126	121	117
Outreach - hydraulic extensions (m)	5.0	6.4	5.3	6.9	8.7	10.5
Outreach - manual extensions (m)	6.4	-	6.9	8.7	10.5	-
Outreach / lifting capacity, standard (m / kg)	3.5 / 3790	3.5 / 3700	3.4 / 3800	3.3 / 3750	3.3 / 3600	3.4 / 3450
	4.8 / 2800	4.8 / 2700	5.0 / 2600	4.9 / 2500	5.0 / 2350	5.0 / 2250
	-	6.1 / 2130	-	6.5 / 1900	6.6 / 1750	6.6 / 1650
	-	-	-	-	8.2 / 1400	8.2 / 1250
	-	-	-	-	-	10.0 / 1040
Slewing angle	415°	415°	415°	415°	415°	415°
Height in folded position (mm)	-	-	2160	2160	2160	2160
Width between side boards (mm)	2380	2380	2380	2380	2380	2380
Length of chassis with / without hydr. stabilizers (mm)	1340 / 1000	1340 / 1000	1340 / 1000	1340 / 1000	1340 / 1000	1340 / 1000
Weight - "standard" crane without stabilizers (kg)	2270	2400	2300	2450	2580	2700
Weight - stabilizer equipment (kg)	150 - 300	150 - 300	150 - 300	150 - 300	150 - 300	150 - 300

Hiab 130 R F-1



Disclaimer. Hiab cranes have been built to meet the highest standards of safety and service life and have been thoroughly tested. Strength calculations for this model have been carried out in accordance with EN13001 in fatigue class S2. Cargotec's certified Quality Assurance System complies with ISO 9001. Some of the items in our literature may be extra equipment. Certain applications may require an official permit. We reserve the right to change technical specifications without prior notice. Hiab cranes produced for EU-countries are CE-marked and comply with the European Standard EN 12999.

Cargotec improves the efficiency of cargo flows by offering solutions for the loading and unloading of goods on land and at sea – wherever cargo is on the move. Cargotec's main daughter brands for cargo handling Hiab, Kalmar and MacGregor are global market leaders in their fields. www.cargotec.com