

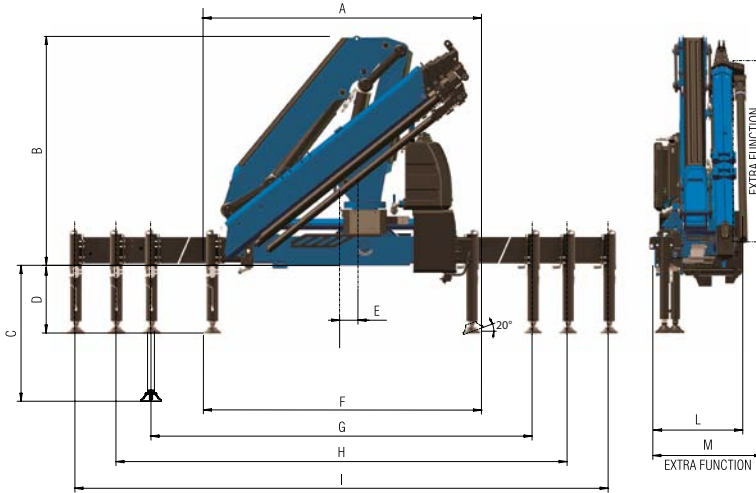
New Generation  
**909NG**



**AMCO / VEBA**  
LIFTING BEYOND HORIZONS

# New Generation

## Technical data 909NG



**1S**

kg	8340	2000	1400
m	1,00*	4,17	5,98

**2S**

kg	3900	1935	1330	1015	720	515
m	1,00*	4,17	5,98	7,79	9,82	11,85

**3S**

kg	7630	1795	1210	910	720	515	355
m	1,00*	4,25	6,06	7,87	9,82	11,85	14,00

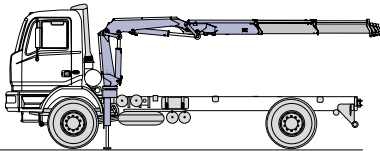
**4S**

kg	7380	1705	1130	830	640	515	355	280
m	1,00*	4,33	6,14	7,95	9,90	11,85	14,00	16,18

**5S**

kg	7040	1600	1040	710	535	430	355	280
m	1,00*	4,40	6,21	8,02	9,97	11,92	14,00	16,18

\*) theoretical lifting capacity



Recommended truck:  
M.T.T. ton 8 - G.V.W. ton 8

	1S	2S	3S	4S	5S
A	2290	2290	2290	2290	2290
B	2085	2085	2085	2085	2085
C	1185	1185	1185	1185	1185
D	530/585	530/585	530/585	530/585	530/585
E	160	160	160	160	160
F	2270	2270	2270	2270	2270
G	3290	3290	3290	3290	3290
H	4790	4790	4790	4790	4790
I	5755	5755	5755	5755	5755
L	840	840	840	840	885
M	840	840	885	885	950

### Standard

- Designed in accordance with EN12999
- Design class: HC1-HD4
- Cross controls
- Flanged valves
- Oil tank
- Manually extendable stabilizers
- Fixed stabilizer cylinders
- Swivel stabilizer foot
- Centralized greasing system
- Double linkage
- SGS Sprint Generation System
- SDD Soft Descent Drive
- 3XL Crane control system (CE)

	Lifting Moment	Slewing Angle	Working pressure	Oil tank capacity	Oil flow	Max Vertical Reach (Hydr)	Crane weight without stabilizers
	tm	°	bar	l	l/min	m	kg
1S	8,4	425	315	75	40	9,3	1105
2S	-	425	315	75	40	10,9	1195
3S	-	425	315	75	40	13,1	1285
4S	-	425	315	75	40	15,1	1370
5S	-	425	315	75	40	17,3	1445

**AMCO VEBA**  
LIFTING BEYOND HORIZONS

**H.C.E. s.r.l.** unico socio  
Via Einstein, 4  
42028 Poviglio (RE) Italy  
Tel. +39 0522 40.80.11  
Fax +39 0522 40.80.80  
info@amcoveba.it  
commerciale@amcoveba.it  
www.amcoveba.com



ISO 9001 • ISO 14001

Dealer