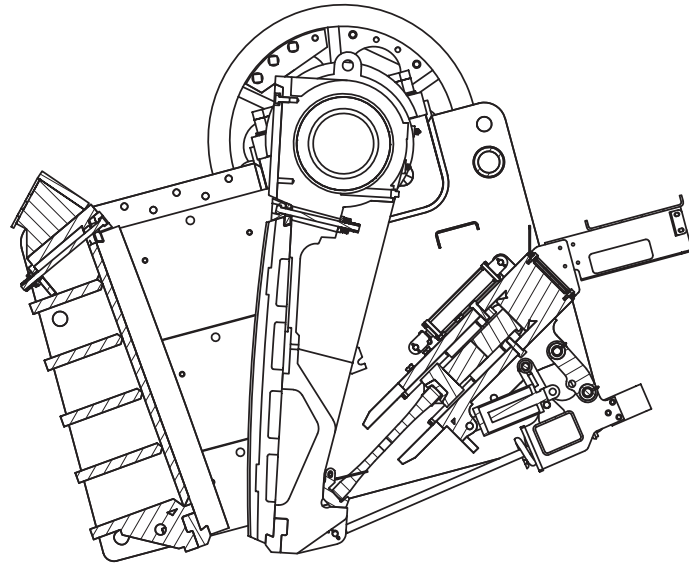


Crushing



Pioneer Jaw

The Pioneer Series from Kolberg-Pioneer, Inc. represents the very latest in jaw crusher technology. Engineered to be the highest capacity jaw crusher on the market, the Pioneer Jaw Crusher will deliver up to 25% more tons per hour than other comparable jaw crushers. Pair that with heavy-duty flywheels for reduced horsepower requirements and class-leading stroke for higher capacity and producers have a machine that will help them squeeze every cent of profit out of their operations.



Large Flywheels

Large, dynamically-balanced flywheels reduce peak horsepower requirements.

Class-Leading Stroke

Class-leading, 1-1/2" stroke offers greater throughput for up to 25% more capacity than competitive models.

Wear Parts

Replaceable manganese jaw die retention bars and barrel protector plate guard the pitman and crusher base from costly damage. Three-piece side base wear liner design allows for replacement of high wear liners separately.

Hydraulic Dual Wedge CSS Adjustment

Hydraulic dual wedge system eliminates cumbersome manual shims, providing quick closed-side-setting adjustment and enhanced safety.

Jaw Die Retention Wedge

Jaw die retention wedge retains the jaw die without the use of problematic key and heel plates.

Bearing Assembly

Unique, efficient bearing assembly provides added strength and reliable long-term service.



Model	Gap		Width		Weight		Capacity	
	Inches	Millimeters	Inches	Millimeters	Pounds	Kilograms	TPH	MTPH
2056	20	508	56	1,422	28,612	12,978	212 - 268	193 - 244
2742	27	685	42	1,067	29,500	13,381	228 - 300	206 - 272
2650	26	660	50	1,270	32,000	14,515	268 - 325	243 - 295
3055	30	762	55	1,397	50,000	22,680	502 - 660	455 - 599
3144	31	787	44	1,118	44,520	20,194	405 - 533	367 - 484
3552	35	889	52	1,321	65,100	29,529	525 - 691	476 - 627
3365	33	838	65	1,651	63,000	28,576	761 - 969	692 - 882
4450	44	1,118	50	1,270	106,000	48,080	775 - 1,020	703 - 925

Available as



Track-Mounted



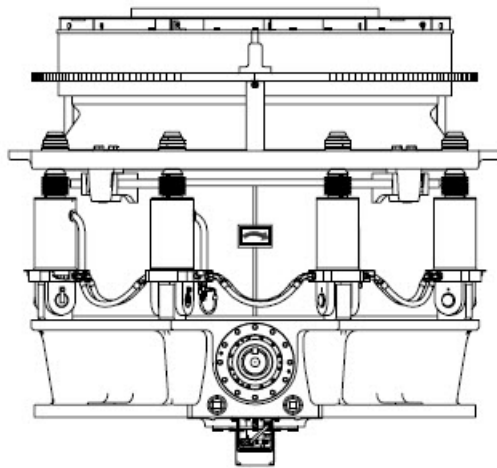
Portable



Stationary

Kodiak® Plus Cone

The Kodiak® Plus Series' patented innovations provide the efficiency needed to hit financial goals and the worry-free operation demanded from rugged machinery. A unique roller bearing design reduces operating expenses by up to 50%, while at the same time improving production and energy efficiency compared to bushing crushers. The Kodiak® Plus Cone Crusher meets coarse and fine crushing application requirements, and offers on-the-fly adjustability for easy operation.



Roller Bearing Construction

Kodiak® Plus roller bearings reduce operating expenses by up to 50%. Precision design generates higher efficiencies, reducing re-circulating loads and operating temperatures. This design is highly tolerant of climate and temperature fluctuations.

Patented Cone Brake

A patented anti-spin, pin-style cone brake reduces manganese wear costs and minimizes projectiles.

Patented Liner Retention System

A patented liner retention system simplifies liner changes.

Bowl Lock Ring

A 360-degree ring replaces individual cylinders and acts as a single piston providing low maintenance and leak-free operation, as well as preventing bowl creep.

Counterweights

Fully-protected patented internal counterweights eliminate the need for replacements and maintain true balance through the life of the machine.

Patented Tramp Iron Relief System

The patented Tramp Iron Relief System eliminates maintenance costs associated with accumulators. Pressure relief valves act as a latch, generating minimal back pressure build-up during a tramp iron or overload event.


Replaceable Brass Seat Liners

Replaceable, single-sided brass v-seat liners provide extra protection from overload events.




Model	Head Diameter		Weight		Capacity	
	Inches	Millimeters	Pounds	Kilograms	TPH	MTPH
K200+	40	1,016	33,500	15,196	385	349
K300+	45	1,143	45,500	20,639	460	417
K350+	48	1,219	47,975	21,761	506	459
K400+	54	1,372	58,600	26,580	625	567
K500+	60	1,524	75,500	34,247	830	753


Available as



Track-Mounted



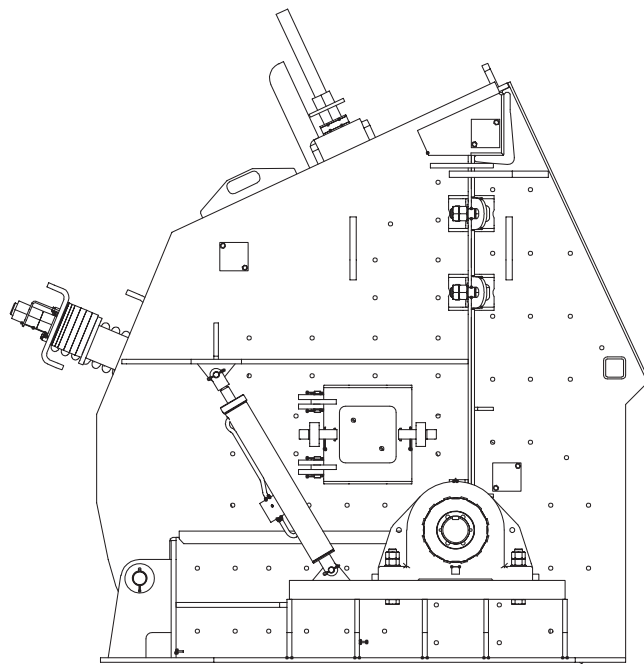
Portable



Stationary

Andreas HSI

Accommodating three- or four-blow bar configurations, Andreas Series Horizontal Shaft Impactors (HSI) offer the adaptability and capacity required to meet the fast-changing aggregate market. A large feed opening and a high-performance MPR rotor make these impact crushers well suited for recycle and aggregate processing applications. With up to 30% more uptime and 25% more production than competitive models, the Andreas Series HSI delivers on exceptional performance.



Hydraulic Adjustable Curtain Design

An enhanced adjustable curtain design with a hydraulically-adjusted closed-side-setting provides precise gradation control for a more consistent product.

Replacement Blow Bars

Replacement blow bars in multiple metallurgies and bolt-on apron liners extend wear life and eliminate costly downtime.

Large Feed Opening

A 36- or 38-inch feed opening provides optimal material transition and is well suited for aggregate and recycling applications.

Maximum Performance Rotor

The Maximum Performance Rotor provides the rugged performance characteristics of a solid rotor with the accessibility of a segmented rotor.


Hydraulic Crusher Housing

Crusher housing hydraulically opens over center for safe and easy maintenance access.




Model	Rotor Diameter		Rotor Width		Weight		Capacity	
	Inches	Millimeters	Inches	Millimeters	Pounds	Kilograms	TPH	MTPH
4233	42	1,067	33	838	23,300	10,569	100 - 200	91 - 181
4240	42	1,067	40	1,016	24,500	11,113	160 - 240	145 - 218
4250	42	1,067	50	1,270	28,200	12,792	200 - 300	181 - 272
5260	52	1,321	60	1,524	43,000	19,505	250 - 450	227 - 408


Available as



Track-Mounted



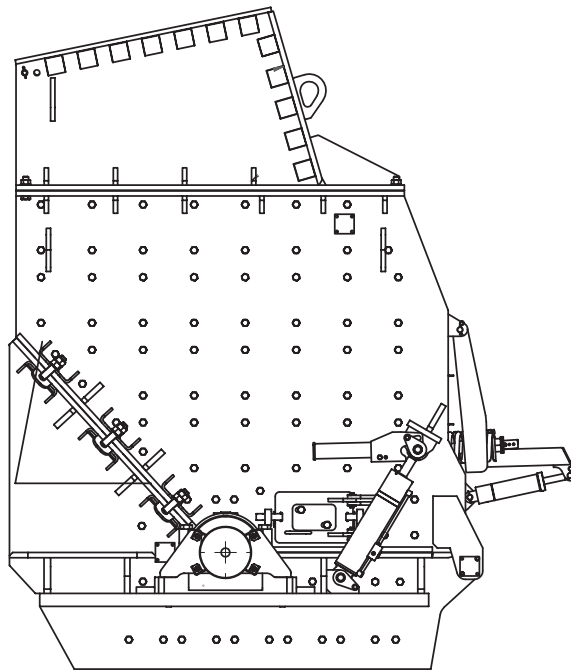
Portable



Stationary

5054 Hybrid

Improving upon the designs of the New Holland and Andreas HSI crushers, the 5054 Hybrid Impact Crusher features the most up-to-date technology in impact crushing, delivering the ability to process more material. The removable blow bars provide greater ease-of-use and less downtime, and the enhanced adjustable curtain delivers a more consistent product. With easy access to the crushing chamber, there are fewer maintenance issues, reducing downtime. The large expansion chamber allows more material to be processed, increasing productivity.



High Reduction Ratio

The 5054 Hybrid Impact Crusher provides a high reduction ratio and a large expansion chamber for increased production with less horsepower.

Crushing Chamber Opening

Upper section of crushing chamber opens for safe and easy maintenance access.

Removable Blow Bars

Removable blow bars provide greater ease-of-use, less downtime and application flexibility.

Hydraulic Adjustable Curtain Design

An enhanced adjustable curtain design with a hydraulically-adjusted closed-side-setting provides precise gradation control for a more consistent product.



Durable Construction

Intended to withstand a tough environment, the rugged design and construction provide years of on-the-job use.



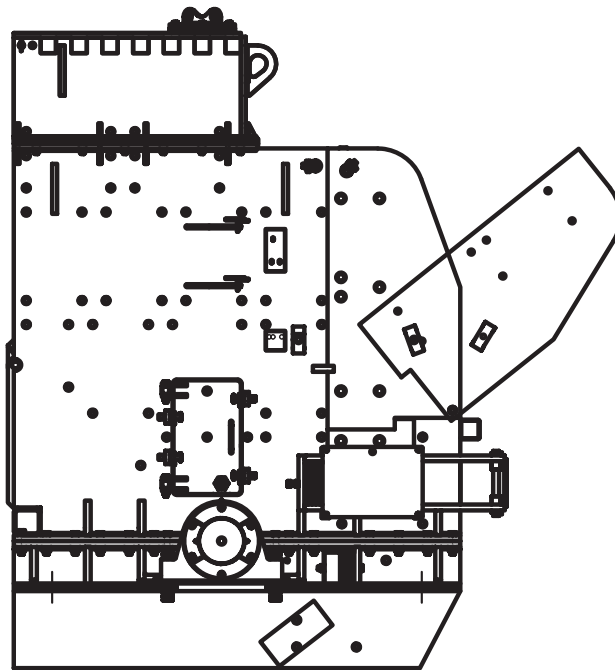
Model	Diesel Power Required		Electric Power Required		Feed Size		Capacity	
	HP	kW	HP	kW	Inches	Millimeters	TPH	MTPH
5054 Hybrid	440	336	300	224	40	1,016	500 - 900	454 - 816

Available as

 Portable
  Stationary

New Holland HSI

With over 40 years of field-proven results, New Holland Series HSI Crushers consistently provide profitable impact performance in models with feed openings ranging from 38" x 50" to 60" x 64". The solid rotor design makes quick work of any hard rock application. Available in either stationary or portable configurations, New Holland Series HSI Crushers easily fit right in to your operation. For solid performance that increases your profit, New Holland Series HSI Crushers have you covered.



Impact Bar Sleeves

Wear-resistant manganese sleeves offer protection against abrasive wear, providing less downtime for your operation.

Adjustable Impact Bar

A highly adjustable design provides optimum flexibility in producing multiple material sizes.

Shear-Bar Assembly

The shear-bar assembly protects the rotor assembly and crusher from damage when an uncrushable enters the chamber.

Wear Liners

Bolt-on wear liner design eliminates costly downtime associated with damage caused by unprotected surfaces.

Feed Lip

A fully replaceable feed lip protects the unit from feed material wear and damage.



Feed Release

The feed release hydraulically relieves bridge-overs while the crusher is operating.



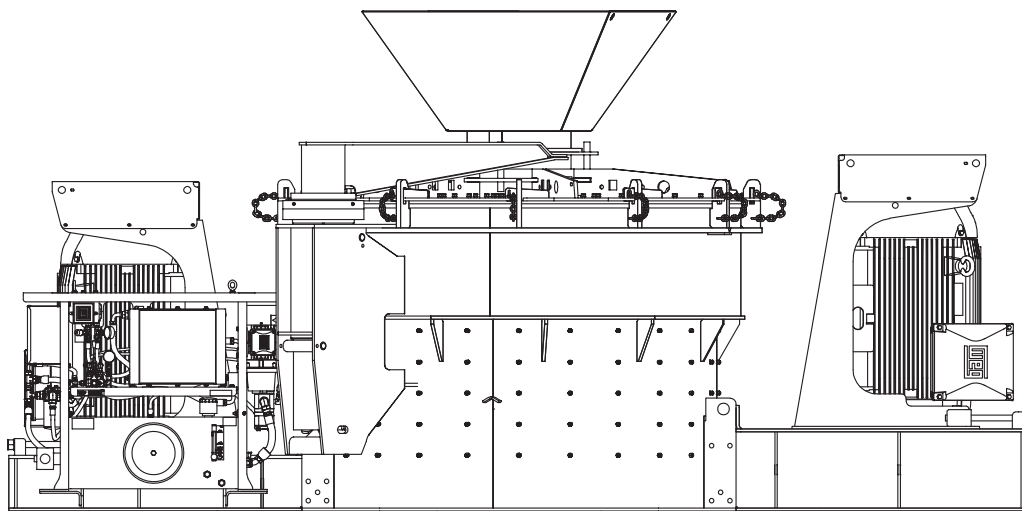
Model	Feed Opening		Weight		Capacity	
	Inches	Millimeters	Pounds	Kilograms	TPH	MTPH
3850	38 x 50	965 x 1,270	40,900	18,552	250 - 450	227 - 408
4654	46 x 54	1,168 x 1,372	50,950	23,110	400 - 750	364 - 680
6064	60 x 64	1,524 x 1,626	88,600	40,188	600 - 1,200	545 - 1,090

Available as

 Portable
  Stationary

Vertical Shaft Impactor

The efficient and versatile design of Kolberg-Pioneer, Inc.'s Vertical Shaft Impactors (VSI) delivers highly-consistent end products for jobs that demand precision. Our VSI crushers are available in both stationary and portable configurations and produce up to 500 tons per hour. With the ability to run in standard, semi-autogenous and fully-autogenous configurations, our models meet the most stringent material specs, allowing producers to meet the challenges of any job they face.



Application Flexibility

Multiple configurations of shoe table, rotor, anvil ring and hybrid rock shelf deliver proper internal crusher geometry for maximum production at the lowest cost.

Hydra-Arm

Hydra-arm assembly lifts the crusher lid for 360 degrees of internal crusher viewing and maintenance. Lid assembly is equipped with bolt-on liners and large inspection doors for internal component viewing and safe, easy access to wear liners.

Adjustable Impact Zone

Anvil ring and hybrid rock shelf are adjustable to provide proper alignment for maximum crushing efficiency and wear part utilization.

Externally-Adjustable Feed Tube

Heavy-duty construction and an externally-adjustable feed tube compensate for excessive wear normally experienced by other non-adjustable systems.



Model	Feed Tube Diameter		Weight		Capacity	
	Inches	Millimeters	Pounds	Kilograms	TPH	MTPH
1500EV	8.5	216	13,200	5,987	75 - 150	67 - 135
2500EVT	11.375	290	18,600	8,437	150 - 300	135 - 267
3500EVT	14	356	24,000	10,886	250 - 400	227 - 356
4500EVT	16	406	30,400	13,789	300 - 500	267 - 445
82EVT	14	356	24,800	11,249	250 - 400	227 - 356
120EVT	18	457	32,900	14,923	300 - 500	267 - 445

Available as



Track-Mounted



Portable



Stationary

Our Tradition

Legacies aren't built by the weak. Since his introduction in 1928, Rocky has become an icon for Kolberg-Pioneer, Johnson Crushers International and Astec Mobile Screens. Rocky serves as a powerful symbol of our longevity, our strength in the industry, and our commitment to our customers. When producers see Rocky, they see security.





Kolberg-Pioneer, Inc.

700 West 21st Street
Yankton, SD 57078 USA
P: (800) 542-9311 | (605) 665-9311
F: (605) 665-8858

Johnson Crushers International, Inc.

86470 Franklin Boulevard
Eugene, OR 97405 USA
P: (800) 314-4656 | (541) 736-1400
F: (541) 736-1424

Astec Mobile Screens, Inc.

2704 West LeFevre Road
Sterling, IL 61081 USA
P: (800) 545-2125 | (815) 626-6374
F: (815) 626-6430

www.kpijci.com

Because Kolberg-Pioneer, Inc., Johnson Crushers International, Inc. and Astec Mobile Screens, Inc. may use in their catalog and literature, field photographs of their products which may have been modified by the owners, products furnished by Kolberg-Pioneer, Inc., Johnson Crushers International, Inc. and Astec Mobile Screens, Inc. may not necessarily be as illustrated therein. Also continuous design progress makes it necessary that specifications be subject to change without notice. All sales of the products of Kolberg-Pioneer, Inc., Johnson Crushers International, Inc. and Astec Mobile Screens, Inc. are subject to the provisions of their standard warranty. Kolberg-Pioneer, Inc., Johnson Crushers International, Inc. and Astec Mobile Screens, Inc. do not warrant or represent that their products meet any federal, state, or local statutes, codes, ordinances, rules, standards or other regulations, including OSHA and MSHA, covering safety, pollution, electrical wiring, etc. Compliance with these statutes and regulations is the responsibility of the user and will be dependent upon the area and the use to which the product is put by the user. In some photographs, guards may have been removed for illustrative purposes only. This equipment should not be operated without all guards attached in their normal position. Placement of guards and other safety equipment is often dependent upon the area and how the product is used. A safety study should be made by the user of the application, and, if required additional guards, warning signs and other safety devices should be installed by the user, wherever appropriate before operating the products.

NOTE: SPECIFICATIONS ARE SUBJECT TO CHANGE WITHOUT NOTICE

Rev. 1/19