

ULTRAMAX® 400-CV Portable Impactor Plant

This highly portable impactor plant is one of the most durable, reliable, and versatile plants for your smaller-sized jobs.

Features

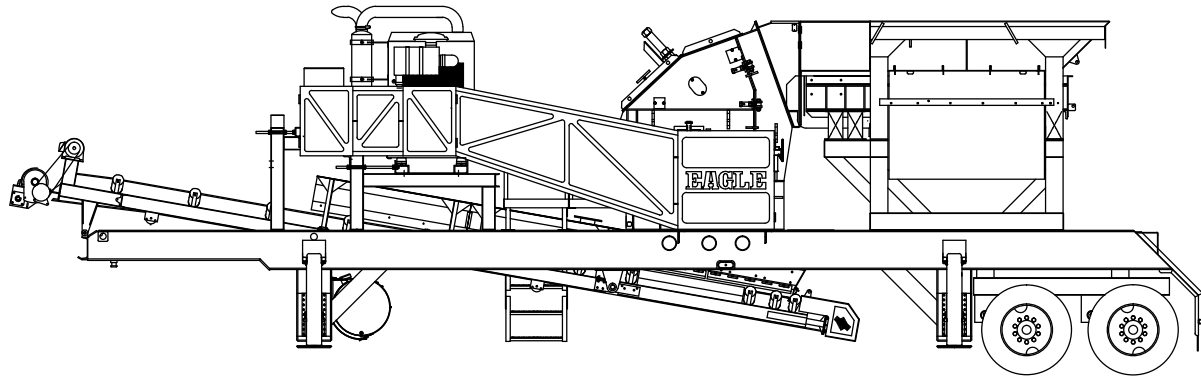
- 1 Easily transports in one pull. Check with your DOT.
- 2 Optional electro-magnet is available as a cross-belt or in-line installation that stays on for transport.
- 3 Hydraulic lift and leveling system enables quick set up and tear down by using the hydraulic run-on legs.
- 4 Totally self-contained, reliable diesel/ electric or all-electric power. You won't have to worry about hydraulic leaks and failures shutting you down.
- 5 Features the industry's only LIFETIME ROTOR WARRANTY on its solid-steel, three-bar, sculptured rotor—the industry's heaviest—to keep you up and crushing.*



* North America only.

Additional Features

- Outperforms similar sized track units for production and quality of product.
- Transports with ease. Just hook up the tractor and go. No additional or specialized trailer necessary.
- Moves easily around the job site with the optional dolly kit with pintle hitch.
- Features unique one-step, grizzly deck to remove fines before crushing.
- Features standard grizzly bypass chute and available cross-belt conveyor with flop gate to allow for either removal of the material that passes through the grizzly deck for stockpiling or blending back with the crushed material.
- Includes removable electrical control panel featuring pre-wired receptacles for radial stackers.
- Manage the feeder speed for complete control of the flow of material into the impactor with Variable Frequency Drive (VFD).
- Includes wireless remote control for the feeder shutdown and all motor stop.



UltraMax[®] 400-CV Technical Specifications*

| | |
|--------------------------------|--|
| Impactor | UM-04 |
| Overall Length | 45' 10" / 14.0M |
| Gross Weight | 56500lbs / 25600kgs |
| Travel Length | 41' 0" / 12.5M |
| Travel Width | 8' 6" / 2.6M |
| Travel Height | 13' 5" / 4.1M |
| Feed Hopper Capacity | 7yd ³ / 5.4M ³ |
| Feed Hopper Capacity (Tons) | 9.5T / 8.6MT |
| Vibrating Feeder | 10' 9" x 26" / 3.3M x 0.7M |
| Feeder Grizzly Deck | 33" long 1 step / 838mm 1 step |
| On-Plant Power Supply Diesel | 225HP / 168kW diesel engine and 40kW generator |
| On-Plant Power Supply Electric | 100HP / 75kW all-electric power |
| Discharge Conveyor Width | 24" / 610mm |
| Discharge Conveyor Height | 7' 2" / 2187mm |

UltraMax[®] Impactor Model and Specifications*

| Model | Diameter x Width | | Width x Height | | Power Required (HP / kW) | Approx. Weight (lbs / kg) | Rotor Weight (lbs / kg) | Production Capacity** |
|-------|---------------------------------|--|-----------------------------|------------------------------|-----------------------------|------------------------------|----------------------------|-----------------------|
| | Rotor (Inches / Millimeters) | Feed Opening (Inches / Millimeters) | Power Required (HP / kW) | Approx. Weight (lbs / kg) | | | | |
| UM-04 | 40 x 26 / 1016 x 660 | 27 x 32 / 686 x 813 | 60 - 100 / 45 - 75 | 17400 / 7900 | 5100 / 2300 | Varies by application. | | |

*Design specifications subject to change without notice.

**Contact your Eagle Sales Representative with your specific application for anticipated production capacity.