




ATLAS

Crawler excavator | 215LCSR



-  **21.8 t**
-  **95 kW (129 HP)**
-  **0.82 - 1.12 m³**



ROBUST. STRONG. STABLE.

215LCSR

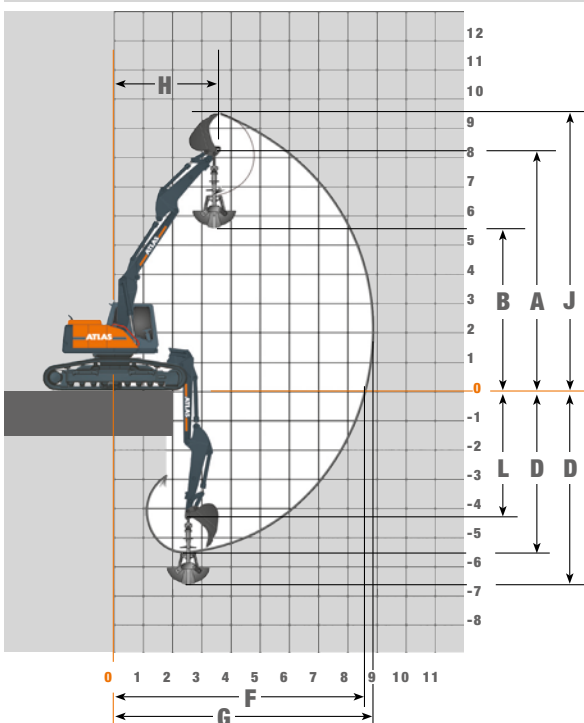
Technical specifications

ENGINE	HYDRAULIC SYSTEM	EQUIPMENT
Power rating acc. to ISO 9249 95 kW (129 HP)	• AWE 4 system	BASIC UNIT 67.82:
RPM2300/min	• Load limit controlled high-performance pump	• Base arm C66.41
Make / model Deutz / TCD 2012 L04 2V	• Fuel-efficient flow-on-demand control	• Adjustable boom C66.46, working length 3300 mm
Design Turbocharger/Charge Air cooling	• Suction valves for all work functions	• Stick D63.3A, working length 2700 mm
Displacement4040 cm ³	• Load-retaining a. fine lowering valves in lifting circuit	DRIVER'S CAB:
Number of cylinders 4	• Restrictors in the lift and articulating circuits	• Air-conditioning
Cooling system Water-cooled	• Primary and secondary overload protection	• Preparation for radio installation
Air filter Dry air filter	• Hydraulic system 1 x Axial piston pump	• Air-cushioned comfort seat (seat heating optional)
Battery 2 x 12 V / 100 Ah	• Main pump HPR 135	• Panorama glazing with heat-absorbing glass
Generator 24 V / 55 Ah	• Max. oil flow 300 l/min	• Skylight window
Starter 24 V / 4 kW	• Max. operating pressure 340 bar	

TRACTION DRIVE	UNDERCARRIAGE	FILL CAPACITIES
• Max. speed 2.4 / 5.5 km/h	• X-frame	• Fuel tank 230 litres
• Tractive force 188 kN	• Track 2.2 m, Base plate width 600 mm	• Engine oil 13 litres
• Max. gradeability 70%	• Drive quality B60	• Hydraulic tank 300 litres

DRIVER'S CAB	SWING ASSEMBLY	ATTACHMENTS (SELECTION)
• Type Atlas comfort cabin 935	• Max. swing speed 9/min	• Bucket F416 / 0.82 m ³ / 1000 mm wide
• Total length 1760mm	• Swing torque 45 kNm	• Bucket F417 / 0.92 m ³ / 1100 mm wide
• Width 935 mm	• Automatically controlled multi-disc brake	• Bucket F648 / 1.12 m ³ / 1300 mm wide
• ISO 6396 (L _p A) in driver's cab 78 dB(A)	• Axial piston motor with priority valve	
• 2000/14 EG (L _w A) ambience level ... 100 dB(A)		

Working ranges Hydraulic adjustable boom (C66.41)



		Bucket	Grabs
A	Bucket pivot point	8.40 m	8.40 m
B	Max. digging height	-	5.90 m
D	Max. digging depth	6.05 m	7.15 m
F	Max. reach	8.00 m	8.00 m
G	Max. digging reach	9.40 m	8.75 m
H	Max. arm position	3.75 m	3.75 m
J	Max. reach height	9.80 m	-
L	Lowest bucket pivot point	4.65 m	4.65 m
	Max. bucket digging force	122kN	-
	Max. stick digging force	81 kN	-
	Grab clamping force	-	73 kN
	Operating Weight	21.8 t	22.1 t
	Tailswing radius	1.75 m	
	Transport length	8.25 m	
	Transport width	3.0 m	
	Transport height	3.2 m	

Lifting capacities Hydraulic adjustable boom (C66.41) and stick 2.70 m (D63.3A). Swing radius 1750 mm

Height	3.0 m		4.0 m		5.0 m		6.0 m		7.0 m	
	FRONT	LATERAL	FRONT	LATERAL	FRONT	LATERAL	FRONT	LATERAL	FRONT	LATERAL
+7.5 m					4472*	4472*				
+6.0 m					4139*	4139*	4088*	3443		
+4.5 m					4575*	4459*	4243*	3441	4046*	2630
+3.0 m	9454*	8999	6709*	5907	5436*	4341	4708*	3393	4246*	2630
+1.5 m	10546*	8758	8248*	5767	6307*	4272	5207*	3390	4503*	2557
+0.0 m	12077*	8800*	8749*	5782	6736*	4233	5474*	3223	4612*	2436
-1.5 m	12594*	8487	8859*	5513	6823*	4025	5602*	3001	4405*	2338
-3.0 m	13090*	8353	9234*	5343	6797*	3804	4592*	2914		
-4.5 m	8943*	8363								

All values in kilograms (kg) were determined acc. ISO 10567 and include a stability factor of 1.33 or 87% of the hydraulic lifting capacity. These values are applicable at the top of the arm with optimum positioning of the corresponding arm system and with power boost switched on. *Value limited due to hydraulics.

www.atlasgmbh.com

ATLAS Maschinen GmbH
EXCAVATORS
Atlasstrasse 6
27777 Ganderkesee, Germany
T: +49 (0) 4222 954 0
F: +49 (0) 4222 954 343
info@atlasgmbh.com