

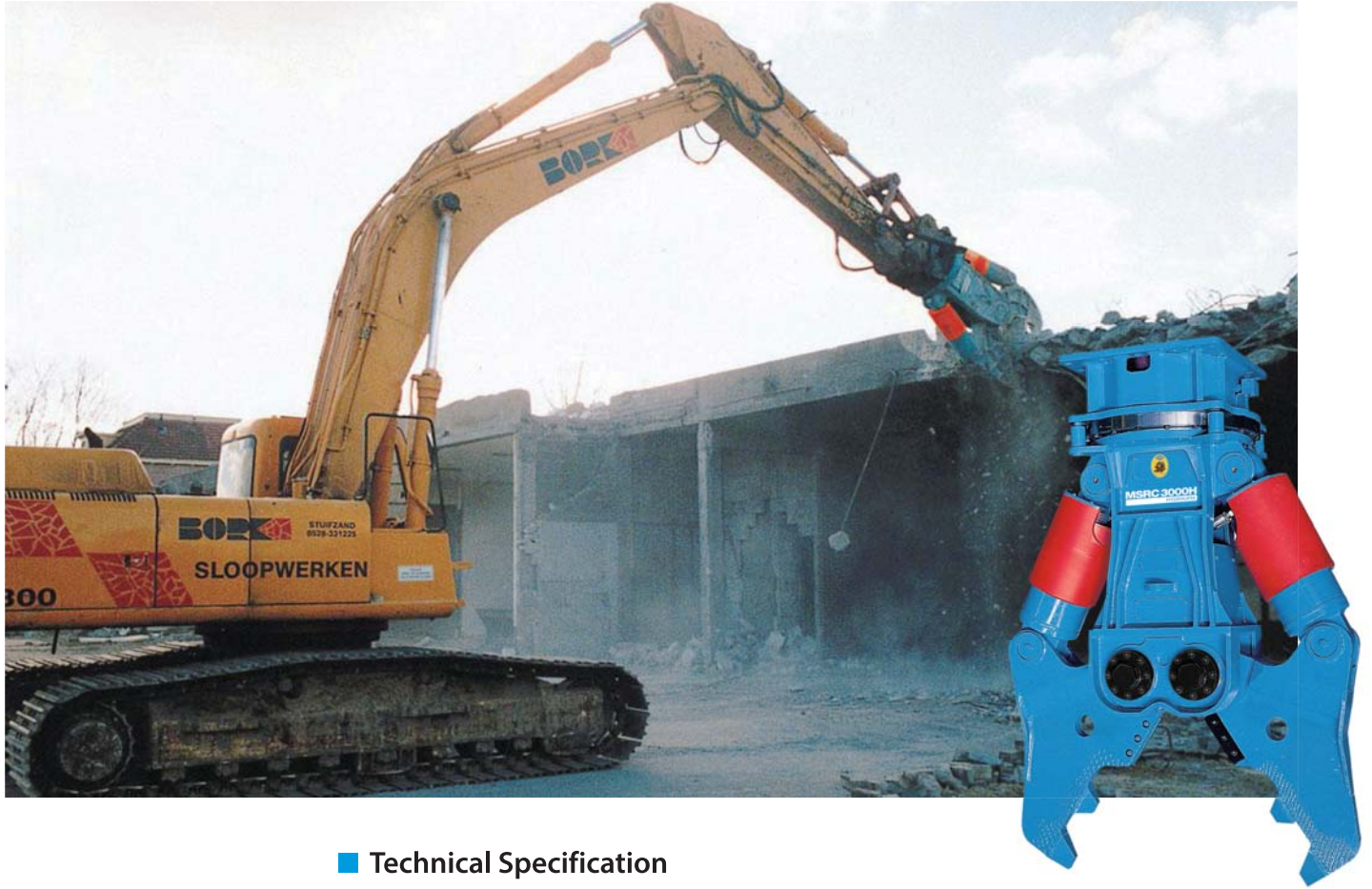
# Attachment Series Product Catalogue



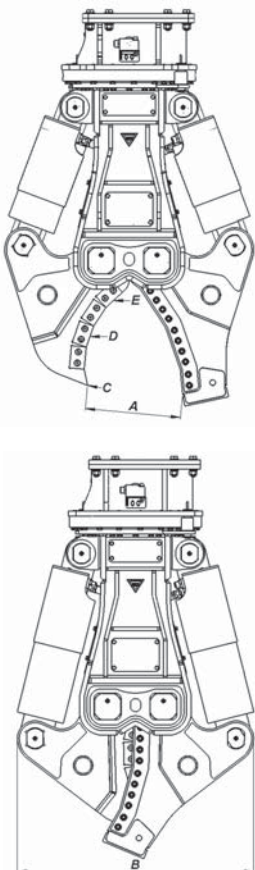
**MSB CORPORATION**  
MASTER OF SUPER BREAKERS

## Rotating Crusher (MSRC)

- Primary & secondary demolition for the reinforced concrete, steel material, industrial structures etc.,
- Exclusive cutting of steel material, steel plate and H-Beam with the replaceable shear jaw.



### ■ Technical Specification



Description	Unit	MSRC					
		300H	700H	1500H	2000H	3000H	
Weight	kg	150	640	1235	2100	3300	
	lb	330	1410	2722	4630	7275	
Dimension	A	mm	300	354	515	514	623
		inch	11.81	13.94	20.28	20.24	24.53
	B	mm	564	876	1117	1269	1559
		inch	22.20	34.49	43.98	49.96	61.38
Closing Force	C	ton	9	20	41	70	100
		lb	19800	44100	90400	154300	220500
	D	ton	13	30	64	113	145
		lb	28700	66100	141100	249100	319700
	E	ton	31	64	157	236	393
		lb	68300	141100	346100	520300	866400
Cylinder	Pressure	bar	250	300	320	320	320
		psi	3625	4351	4641	4641	4641
	Oil Flow	l/min	20-90	45-100	70-130	150-250	150-250
		g/min	5-23	11-26	18-34	39-66	39-66
Rotator	Pressure	bar	-	140	200	140	140
		psi	-	2030	2900	2030	2030
	Oil Flow	l/min	-	45	75	75	75
		g/min	-	11	19	19	19
Carrier Weight	ton	2-4	5-11	12-17	18-27	28-38	
	lb	4400-8800	11000-24300	26500-37500	39700-59500	61700-83800	

# MSRC Competitive Features

## 1 Safe Lock Pin

For handy and safe carry for the hydraulic unit.

## 2 Grease Nipple

It improves the durability of the pins.

## 3 Main Body Covers

Easy access for the maintenance and the hose replacement.

## 4 Hydraulic Rotation

360 degrees of hydraulic rotation allows right positioning of the attachment in any job tasks given to improve workability and maneuverability. (Applied in MSRC700~MSRC3000)

## 5 Slewing Gear

High class feature for the function to connect top bracket and main body. Together with the inner bearing system, high intensity and precision process bolsters high reliability of its functionality.

## 6 Cylinder Covers

Special protection for the cylinder rods.

## 7 Massive Power of Dual Cylinders

With application of high profiled seal system, it adds superb demolition capability and speedy operation.

## 8 Dual Core Pin Covers

Easy access and protection of core dual pins.

## 9 Interchangeable Jaws

Wear-resistant plate applied into the interchangeable jaws are the smart alternatives based on the job application to mount different types of the jaws (multifunction jaw, pulverizer jaw, shear jaw) as a versatile attachment solution.

## 10 Four Edge Useable Cutter

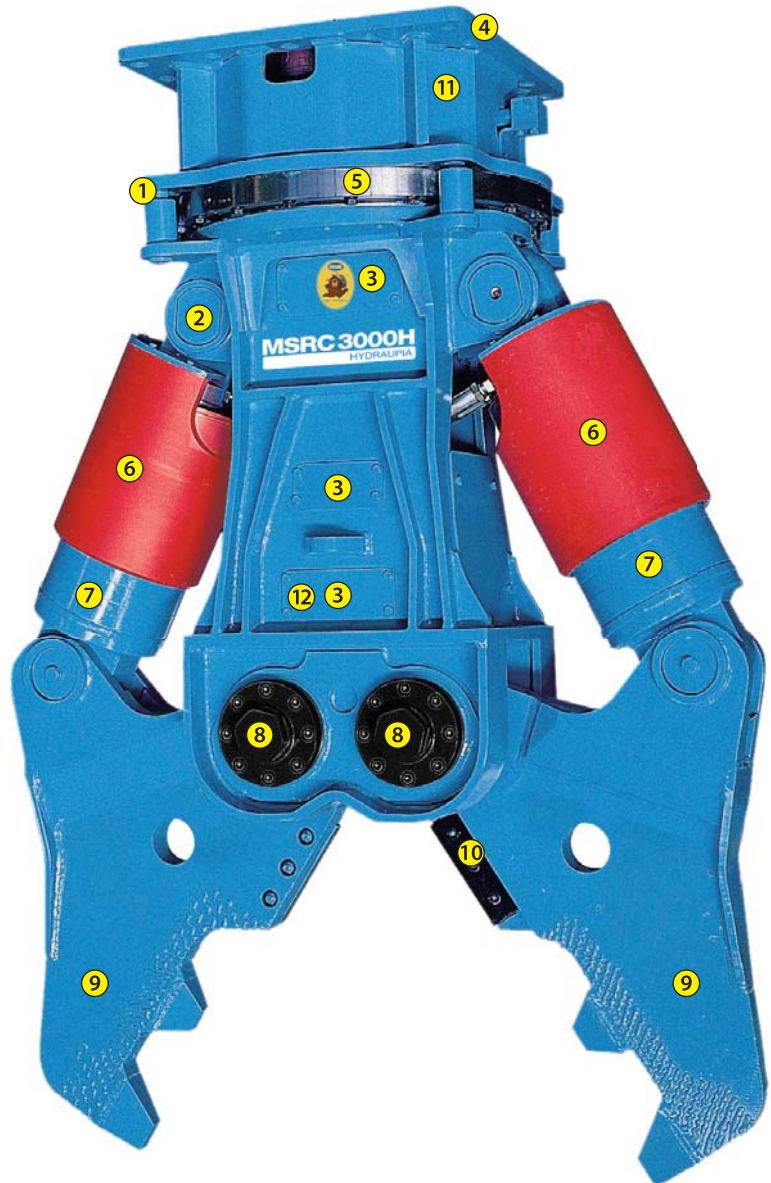
"Four edge useable cutter" is highly useful to increase the lifetime of the cutter. Smart thinking to reduce the running cost!

## 11 Flow Control Valve (FCV)

It maximizes the speed of the hydraulic rotation. (Available from MSRC700 to MSRC3000/Not shown on the picture)

## 12 Jaw Speed-Up Valve (JSUV)

It maximizes the speed of the jaw operation. (Available from MSRC2000,3000/Not shown on the picture)



### MSRC Jaw Configurations



Multifunction Jaw



Pulverizer Jaw



Shear Jaw

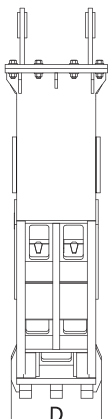
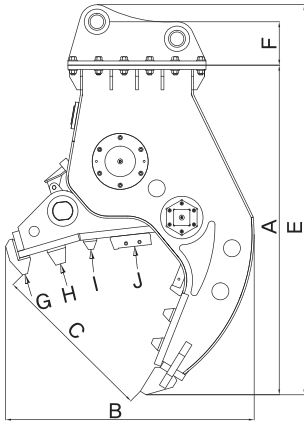
※ Note : some features may be adjusted due to the drawing updates by the manufacturer.

# Hydraulic Pulverizer (MSHP)

- Excellent demolition for making disposal and easier recycling.
- Work fragmentation of reinforced iron and concrete.



## ■ Technical Specification



Description	Unit	MSHP				
		2000CT	2000CTR	3000CT	3000CTR	
Weight	kg	1905	2400	2790	3100	
	lb	4199	5291	6150	3834	
Dimension	A	mm	1940	2325	2045	2584
		inch	76.37	91.54	80.51	101.73
	B	mm	1455	1455	1610	1610
		inch	57.28	57.28	63.38	63.38
	C	mm	958	958	1049	1049
		inch	37.71	37.71	41.29	41.29
	D	mm	607	607	687	687
		inch	23.89	23.89	27.04	27.04
Pressure	bar	320				
	psi	4641				
Crushing Force	G	ton	50	50	70	70
		lb	110200	110200	154300	154300
	H	ton	63	63	93	93
		lb	138800	138800	205000	205000
	I	ton	110	110	160	160
		lb	242500	242500	352700	352700
Cutting Force	J	ton	185	185	260	260
		lb	407800	407800	573100	573100
Rotator	Pressure	bar	-	140	-	140
		psi	-	2030	-	2030
	Oil flow	l/min	-	75	-	75
		g/min	-	19	-	19
Carrier Weight	ton	18-27	18-27	28-38	28-38	
	lb	39600-59501	39600-59502	61700-83701	61700-83702	

※ CT: Fixed type, CTR: Rotating type

# MSHP Competitive Features

## 1 Hose Connection

Easy connection of hose linkage.

## 2 Cylinder Cover

Special protection for the cylinder rod.

## 3 Grease Nipple

It improves the durability of the pins.

## 4 Cylinder

With application of high profiled seal system, it adds superb demolition capability and speedy operation. (Not shown on the picture)

## 5 Hinge Typed Core Pin Cover

Easier access and safer holding of core pin on the cylinder.

## 6 Four Edge Useable Cutter

"Four edge useable cutter" is highly useful to increase the lifetime of the cutter. Smart thinking to reduce the running cost!

## 7 Replaceable Teeth

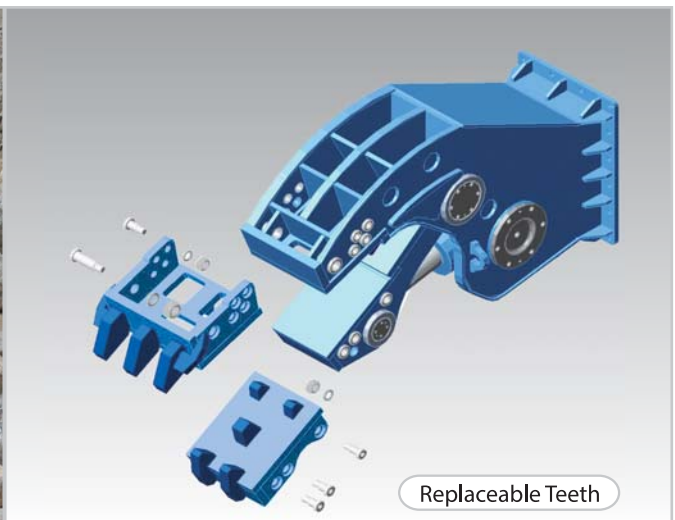
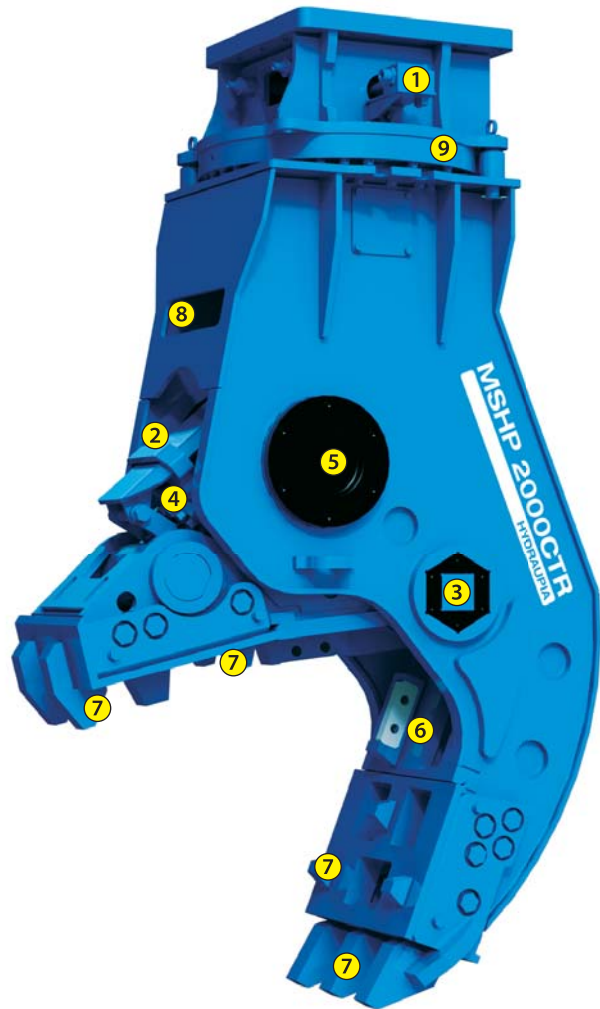
Wear-resistant plate applied into the teeth changeable are the smart alternative based on the job difficulty with the biomimetic design concept of the mouth of the pulverizer.

## 8 Mouth Speed-Up Valve (MSUV) (Option Package)

It maximizes the speed of the open & close operation. (Not shown on the picture)

## 9 Hydraulic Rotating & Slewing Gear

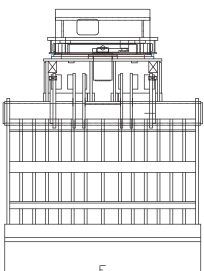
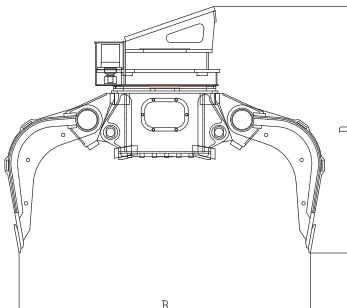
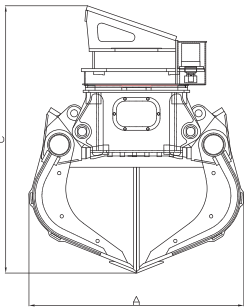
With 360 degree of endless hydraulic rotation



※ Note : some features may be adjusted due to the drawing updates by the manufacturer.

# Stone Grab (MSSG)

- Optimized structure to demolish and transport wood, bricks, stone and other industrial & residential materials.
- Projected selection of demolition debris and waste.

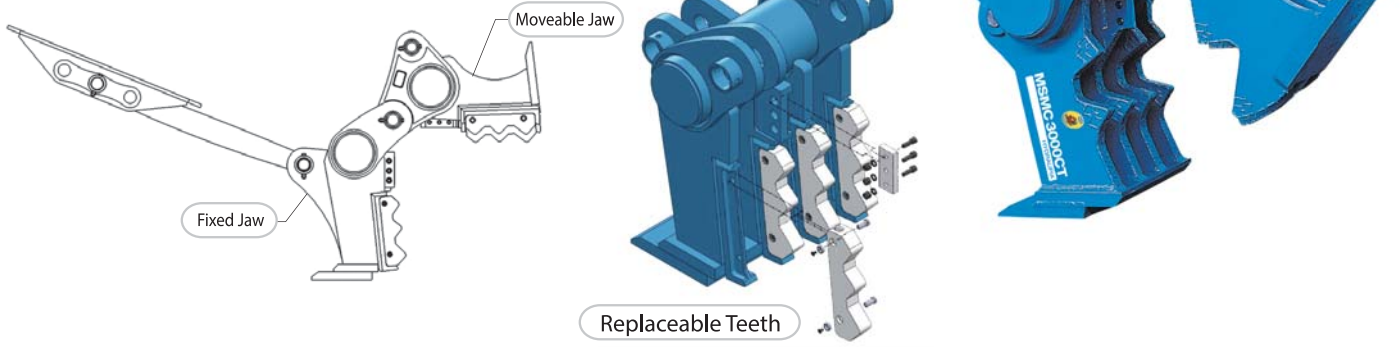


## ■ Technical Specification

Description		Unit	MSSG			
			1100H	1500H	2200H	3000H
Weight		kg	490	1060	1550	2180
Capacity		m <sup>3</sup>	0.3	0.6	0.8	1.0
Dimension	A	mm	1010	1060	1210	1500
	B	mm	1610	1710	1990	2040
	C	mm	1150	1280	1480	1870
	D	mm	1010	1110	1300	1730
	E	mm	480	850	1050	1120
Cylinder	Pressure	bar	320	320	350	350
	Oil Flow	l/min	20~60	40~80	60~100	80~150
Rotator	Pressure	bar	140	140	200	200
	Oil Flow	l/min	45	45	75	75
Carrier Weight		ton	3~7	7~17	17~27	27~38
		lb	6600 ~ 15400	15400 ~ 37400	37400 ~ 59500	59500 ~ 83700

# MECHANICAL CRUSHER (MSMC)

- Multi-functional crushing operations.
- Superb operations for crushing, flipping, picking and prying task.
- No extra hydraulics needed.



## ■ Technical Specification

Description	Unit	MSMC		
		2000CT	3000CT	4000CT
Weight	kg	1588	1969	2883
	lb	3434	4340	6355
Cutter Length	mm	164	180	200
	inch	6.45	7.08	7.87
Carrier Weight	ton	18-27	28-37	38-47
	lb	39600-59500	61700-81500	83700-103600

# ORANGE GRAPPLE (MSOG)



- Orange peel shaped scrap grapple with unlimited clockwise and anti-clockwise rotation.
- Open, semi-closed and fully closed tines are available.
- 4 and 5 tines configurations are available.
- High production rate to scrap metals and to lift stones within the robust tines.



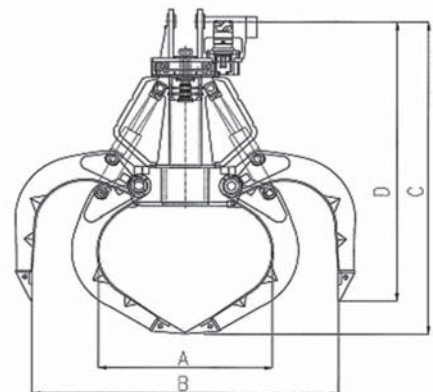
Open Tine

Semi-Closed Tine

Fully Closed Tine

## Technical Specification

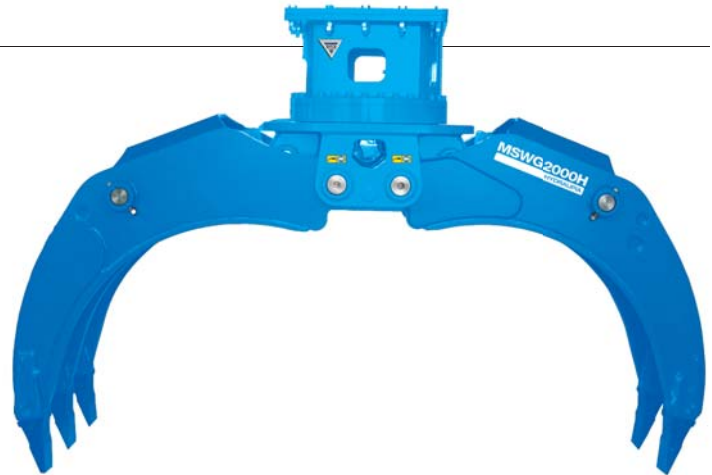
Description	Unit	MSOG					
		1500H	2000H	3000H	4000H	4500H	
Capacity	m <sup>3</sup>	0.6	0.8	1	1.5	2	
	ft <sup>3</sup>	21.19	28.25	35.31	52.97	70.63	
Weight	kq	1050	1300	1500	1800	2100	
	lb	2315	2866	3307	3968	4630	
Dimension	A	mm	849	969	1192	1315	1705
		inch	33.43	38.15	46.93	51.77	67.13
	B	mm	1859	1939	2013	2403	2699
		inch	73.19	76.34	79.25	94.61	106.26
	C	mm	1850	1970	2203	2381	2939
		inch	72.83	77.56	86.73	93.74	115.71
	D	mm	1550	1674	1969	2107	2673
		inch	61.02	65.91	77.52	82.95	105.24
Cylinder	Pressure			bar	280		
				psi	4061		
Oil flow	l/min	80~120					
	g/min	21~32					
Rotator	Pressure	bar					
		psi					
Oil flow	l/min	80					
	g/min	21					
Tine Q'ty	EA	5 (Standard) / 4 (Option)					
Carrier Weight	ton	12-17	18-27	28-35	36-42	43-47	
	lb	26500-37500	39700-59500	61700-77200	79400-92600	94800-103600	





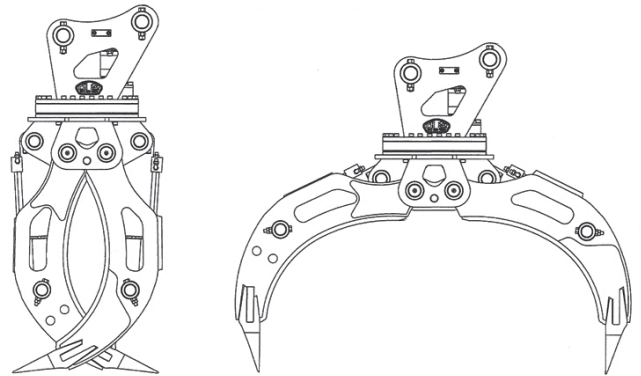
## WOOD GRAB (MSWG)

- Unlimited clockwise and anti-clockwise rotation.
- Sleek design and highly capable opening to grab wooden materials.
- Wood and stick shaped material lifting and picking operations.
- Transporting logs and round wood to the tree trunks in timber area.



### Technical Specification

Description	UNIT	MSWG	
		2000H	3000H
Weight	kg	1340	1650
	lb	2954	3638
Jaw Opening	mm	2300	2500
	inch	90.55	98.43
Pressure	bar	200	210
	psi	2901	3046
Oil Flow	l/min	100-180	190-250
	g/min	26-48	50-66
Carrier Weight	ton	17-23	24-30
	lb	37500-50700	52900-66100



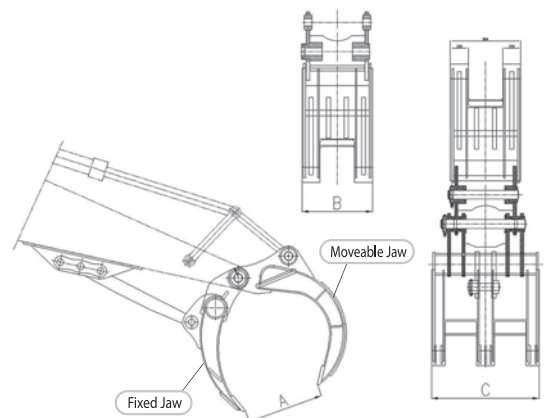
## DEMOLITION GRAPPLE (MSDG)

- 3X2 engaged robust structure.
- No extra hydraulics needed.
- Wear-resistant plate applied into the upper jaw which boosts high level of wear resistance.
- Anti-destructible brace supports strong connection between the bracket and the lower jaw.
- Highly useful to wood, logs, H-Beam and other industrial & residential materials.
- Projected selection of demolition debris and waste.



### Technical Specification

Description	Unit	MSDG							
		1000H	1500H	2000H	3000H	4000H	6000H	7000H	
Weight	kg	931	1640	1948	2066	2495	4070	4492	
	lb	2053	3616	4295	4555	5501	8973	9903	
Dimension	A	mm	2200	2400	2720	2986	3262	3826	3837
		inch	86.61	94.49	107.09	117.56	128.43	150.63	151.06
	B	mm	586	762	762	813	864	868	1070
		inch	23.07	30.00	30.00	32.00	34.02	34.17	42.13
	C	mm	876	1118	1118	1220	1270	1300	1520
		inch	34.49	44.02	44.02	48.03	50.00	51.18	59.84
Carrier Weight	ton	9-12	13-17	18-27	28-37	38-47	58-67	68-77	
	lb	19800 -26500	28700 -37500	39700 -59500	61700 -81600	83800 -103600	127900 -147700	149900 -169800	



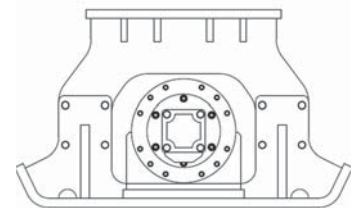
## VIBRATION COMPACTOR (MSHV)

- Excellent solution to compact soil, asphalt and concrete.
- Light plate for soil and heavy plate for asphalt and concrete.
- Right application to create dense substrate before building a structure to avoid future cracks and collapse from the loose substrate.



### Technical Specification

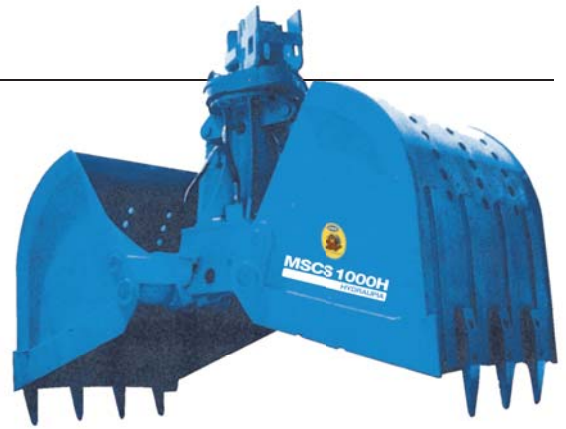
Description	Unit	MSHV						
		MSHV300H	MSHV700H	MSHV1500H	MSHV2000H	MSHV3000H	MSHV4000H	
Weight	kg	250	387	759	969	1328	1749	
	lb	551	853	1673	2136	2169	3856	
Vibrating Motor	Pressure	bar	140	140	140	140	140	140
		psi	2031	2031	2031	2031	2031	2031
	Oil Flow	l/min	78	78	120	120	120	140
		g/min	21	21	32	32	32	37
Vibrating Frequency	rpm(max)	2000	2000	2000	2000	2000	2000	
Vibrating Force	kg	1500	2900	5000	7000	9000	12000	
	lb	3307	6393	11023	15432	19842	26455	
Dimension	A	mm	650	854	960	1155	1254	1450
	B	mm	420	610	700	850	930	1050
	C	mm	523	510	646	640	685	825
Carrier Weight	ton	1~3	4~9	10~17	18~25	26~35	36~45	
	lb	2200~6600	8800~19800	22000~37400	39700~55100	57300~77200	79300~99200	



Vertical Typed Rubber-Dampener

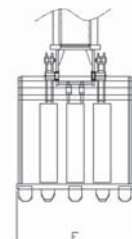
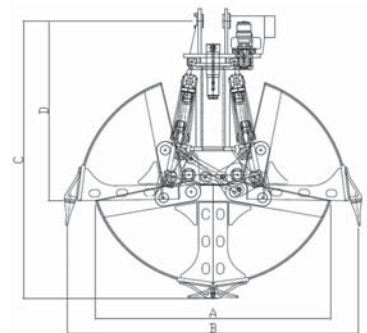
## CLAM SHELL (MSCS)

- Unlimited clockwise and anti-clockwise rotation.
- Dual bucket shaped application for re-handling with the massive power from the two cylinder configurations.
- Superb performance for land clearing, sand and soil transporting and placing, pole setting, dredging.



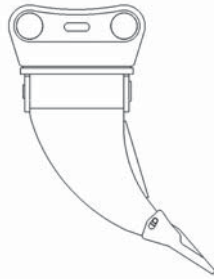
### Technical Specification

Description	Unit	MSCS						
		700H	1000H	1500H	2000H	3000H	4000H	
Capacity	m <sup>3</sup>	0.4	0.5	0.6	0.8	1	1.5	
	ft <sup>3</sup>	14.13	17.66	21.19	28.25	35.31	52.97	
Weight	kg	560	590	720	980	1200	1500	
	lb	1235	1300	1587	2161	2646	3307	
Dimension	A	mm	1230	1230	1752	1752	1856	2151
		inch	48.43	48.43	68.98	68.98	73.07	84.69
	B	mm	1680	1680	2223	2223	2328	2641
		inch	66.14	66.14	87.52	87.52	91.65	103.98
	C	mm	1302	1302	2200	2200	2253	2404
		inch	51.26	51.26	86.61	86.61	88.70	94.65
	D	mm	1146	1146	1408	1408	1408	1408
		inch	45.12	45.12	55.43	55.43	55.43	55.43
	E	mm	500	600	700	800	900	1200
		inch	19.69	23.62	27.56	31.50	35.43	47.24
Cylinder	Pressure	bar	280					
		psi	4061					
	Oil flow	l/min	80-120					
		g/min	21-32					
Rotator	Pressure	bar	140					
		psi	2031					
	Oil flow	l/min	80					
		g/min	21					
Carrier Weight	ton	4-7	8-11	12-17	18-27	28-35	36-42	
	lb	8800-15400	17600-24300	26500-37500	39700-59500	61700-77200	79400-92600	



## RIPPER (MSMR)

- Simpler and maintenance-free structure.
- Wear-resistant plate made replaceable tooth application for wear resistance and easier maintenance.
- Easy operation for trenching and breaking frozen ground.
- Most green excavating solution by low noise.



### Technical Specification

Description	Unit	MSMR					
		1500H	2000H	3000H	4000H	5000H	6000H
Weight	kg	254	494	770	1067	1509	1624
	lb	560	1089	1698	2352	3327	3580
Carrier Weight	ton	10-17	18-27	28-37	38-47	48-57	58-65
	lb	22000 -37500	39700 -59500	61700 -81600	83800 -103600	105800 -125700	127900 -143300

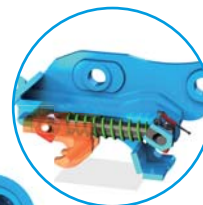
## QUICK COUPLER (MSQC)

### Technical Features

Best solution for the rapid exchange of work tools or bucket. Compact design with only two hoses, minimal moving parts. Compliant with EN474 and all major contractor policies.



◀ **Wide Range Pin Center**  
The sliding jaw primary lock allows for multi pin centers.



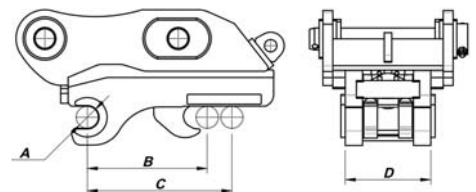
◀ **Simpler Structure**  
Easier servicing and maintenance, less replacement parts are guaranteed



◀ **Dual Safety Locking System** ▶  
Lock both front and rear pins in the event of loss of engagements force.



### Technical Data



### Technical Specification

Description	Unit	MSQC								
		MQ35	MQ45	MQ50	MQ65	MQ70	MQ80	MQ90	MQ100	MQ110
Pin Diameter (A)	mm	35	45	50	65	70	80	90	100	110
Pin Spread Min. (B)	mm	178	228	285	346	435	430	485	544	551
Pin Spread Max. (C)	mm	220	270	315	426	520	515	585	642	645
Minimum Attachment Width (D)	mm	120	144	163	220	301	298	345	360	390



**MSB CORPORATION**  
MASTER OF SUPER BREAKERS

Address : 91, Namdong-Daero, Namdong-Gu, Incheon City, Korea  
Tel: +82-32-821-6980 / Fax: +82-32-818-1698 / E-mail: [msb@msbcom.co.kr](mailto:msb@msbcom.co.kr)

[www.msbcom.co.kr](http://www.msbcom.co.kr)

Literature S/N : 201602C-1

