

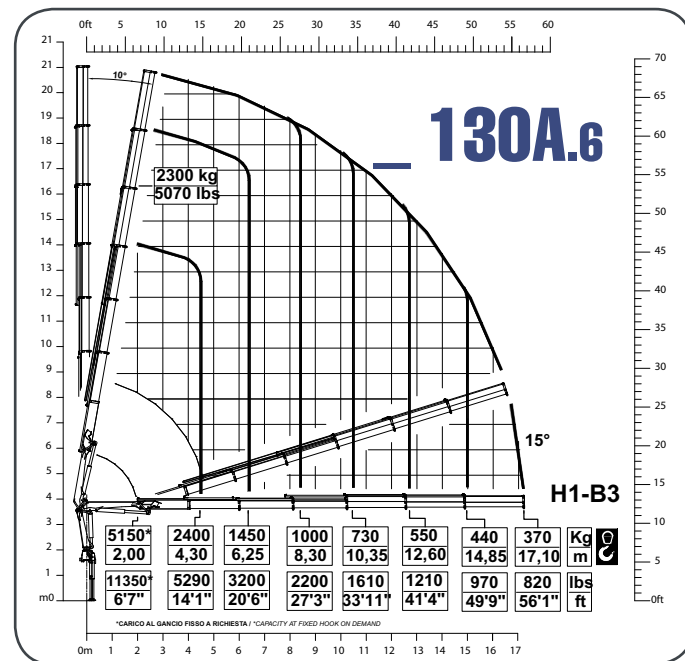
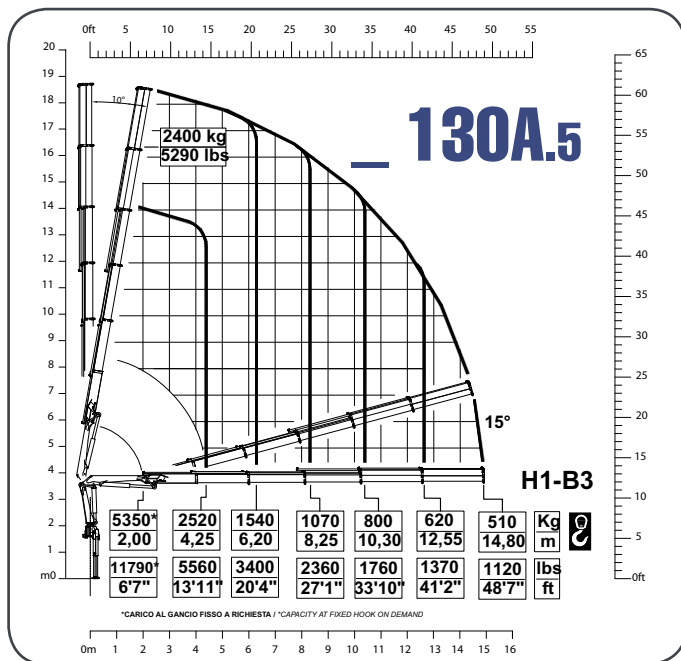
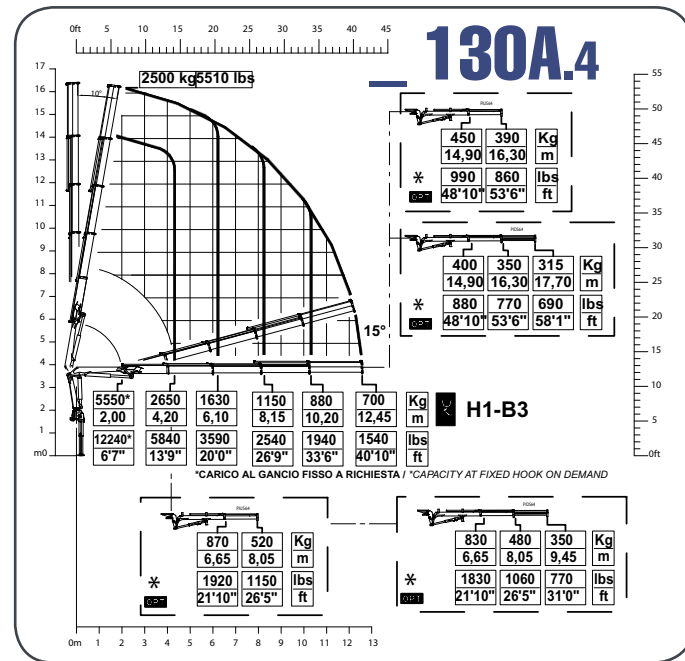
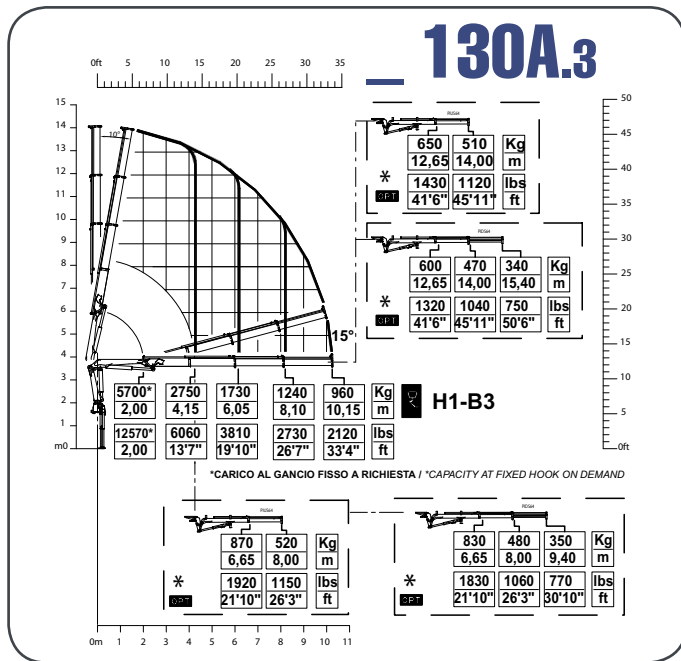
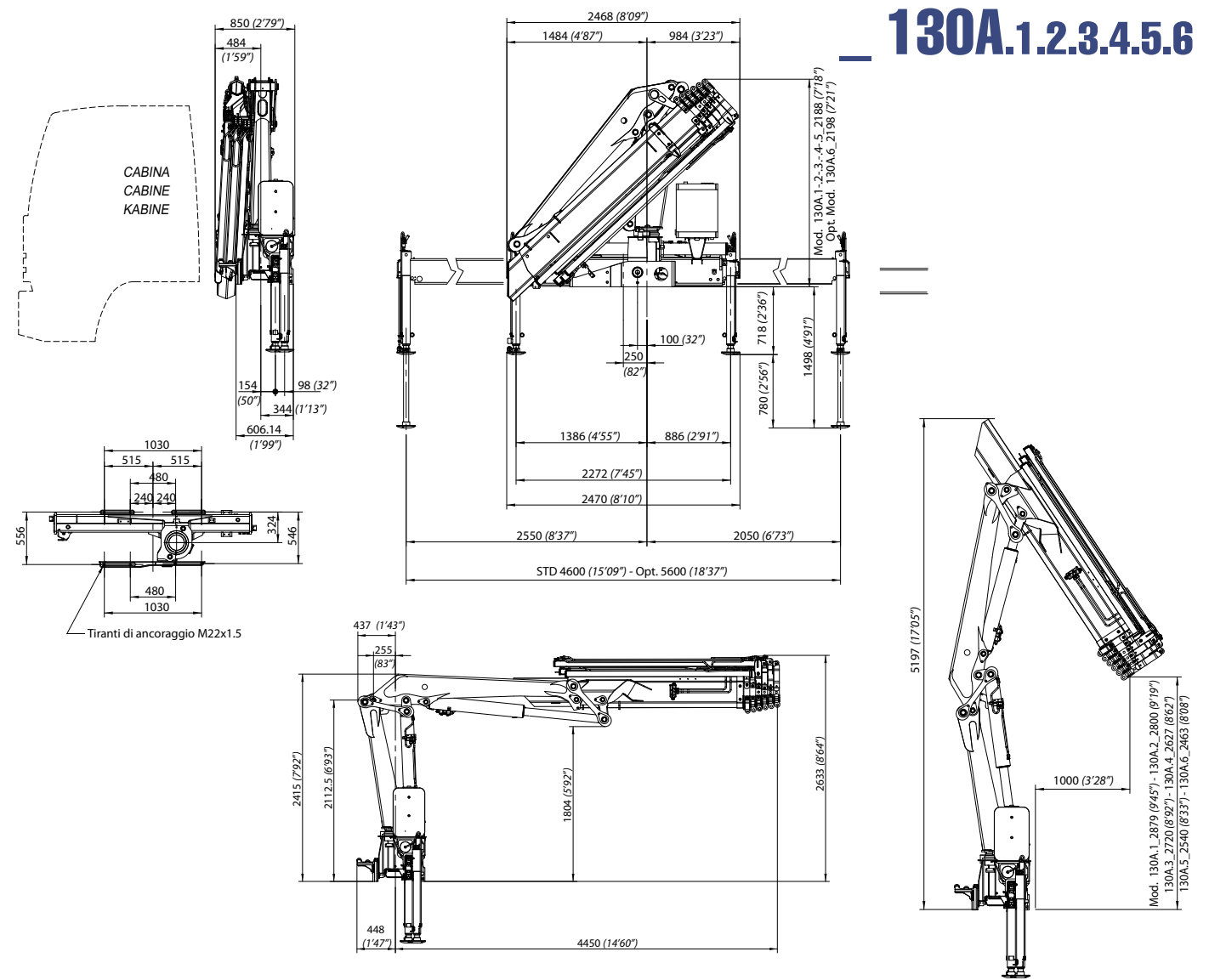
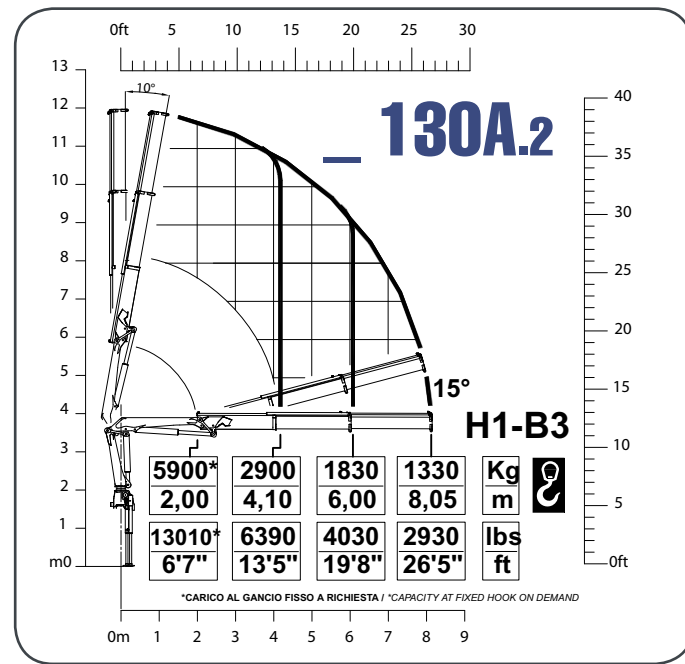
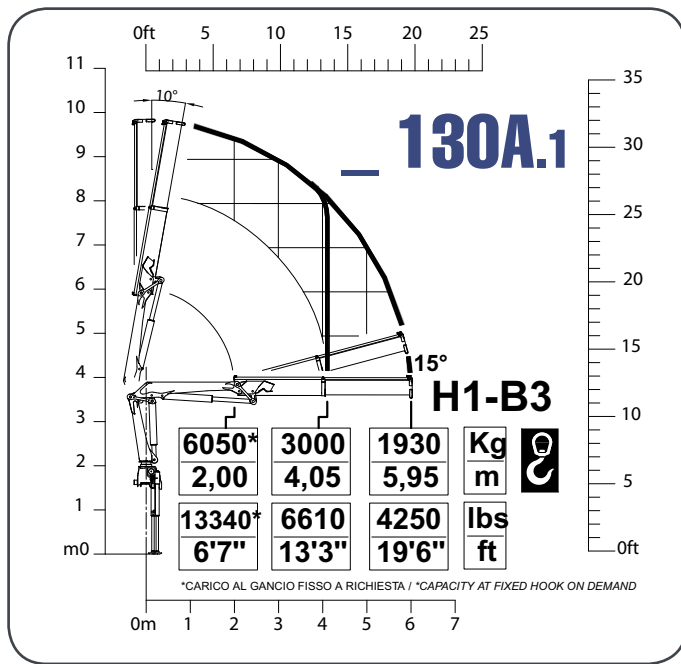
10/2010

gru_truck cranes



- ▶ Scheda tecnica
- ▶ Fiche technique
- ▶ Technische daten
- ▶ Technical features
- ▶ Ficha tecnica
- ▶ Folha de dados

130A.1.2.3.4.5.6



CARATTERISTICHE	N° SFILI					
	.1	.2	.3	.4	.5	.6
Momento max sollevamento/couple de levage/hubmoment/ momento/ max lifting moment	119 (kNm)	116 (kNm)	112 (kNm)	109 (kNm)	105 (kNm)	101 (kNm)
Angolo di rotazione/schwenkbereich/ giro/ rotation/ slewing angle	400°	400°	400°	400°	400°	400°
Coppia max rotazione / max schwenkmoment/ couple maxi. De rotation/ potencia máxima de giro/ slewing torque	16500 (daNm) 119 (lbs.ft)	16500 (daNm) 119 (lbs.ft)	16500 (daNm) 119 (lbs.ft)	16500 (daNm) 119 (lbs.ft)	16500 (daNm) 119 (lbs.ft)	16500 (daNm) 119 (lbs.ft)
Pressione max lavoro/ druck/ pression/ pression/ max working pressure	275 bar 3988 (psi)	275 bar 3988 (psi)	275 bar 3988 (psi)	275 bar 3988 (psi)	275 bar 3988 (psi)	275 bar 3988 (psi)
Portata pompa ottimale/ fördermenge der pumpe/ portée de la pompe/ caudal de la bomba/ recommended pump delivery	35/45 L	35/45 L	35/45 L	35/45 L	35/45 L	35/45 L
Capacità serbatoio olio/ fassungsvermögen del ölbehalters/ capacité réservoir huile/ capacitat del deposito de aceite/ oil tank capacity	75 L	75 L	75 L	75 L	75 L	75 L
Veicolo min. P.T.T. / Lkw min. G.G.W./ Camion min. P.T.A.C./ Camion peso min. P.T.T. T t t/ p.B. Min camion/ truck min. G.V.W.	12 T	12 T	12 T	12 T	12 T	12 T
Peso gru / gewicht/ poids/ peso/ crane weight	1520 kg 3351 (lbs)	1630 kg 3594 (lbs)	1730 kg 3814 (lbs) J1 1950 kg 4299 (lbs) J2 1990 kg 4387 (lbs)	1830 kg 4034 (lbs) J1 2068 kg 4559 (lbs) 2100 kg 4630 (lbs)	1920 kg 4233 (lbs)	2000 kg 4409 (lbs)