



ULTRAMAX® 1200-CC Closed Circuit Portable Impactor Plant

This plant is designed for larger-size jobs that require cubicle spec products from a highly portable crushing and screening plant on one chassis.

Features

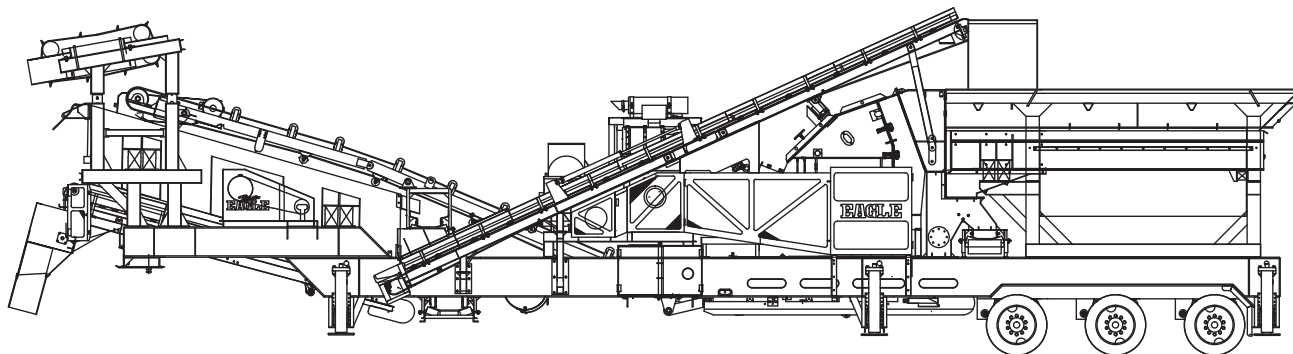
- 1 Available in tri-axle or quad-axle version. Each features one-pull transport with optional rear tag axle. Check with your DOT.
- 2 Two-deck inclined screen produces two cubical spec products.
- 3 Top-deck retained material is returned to the crusher for further processing.
- 4 Hydraulic lift and leveling system enables quick set up and tear down by using the hydraulic run-on legs.
- 5 Totally self-contained, reliable diesel/electric or all-electric power. You won't have to worry about hydraulic leaks and failures shutting you down.
- 6 Available in-line electro-magnet removes for transport.
- 7 Features the industry's only LIFETIME ROTOR WARRANTY on its solid-steel, three-bar, sculptured rotor—the industry's heaviest—to keep you up and crushing.*



* North America only.

Additional Features

- Features closed-circuit crushing and screening on one chassis.
- Replaces Jaw/Cone/Screen multi-unit systems for a much lower initial investment while maintaining a high production of cubical spec product. Greatly reduces maintenance and fuel costs and is easily transported.
- Features unique two-step, 5' grizzly deck to remove fines before crushing.
- Features standard grizzly bypass chute and available cross-belt conveyor with flop gate to allow for either removal of the material that passes through the grizzly deck for stockpiling or blending back with the crushed material.
- Includes removable electrical control panel featuring pre-wired receptacles for radial stackers.
- Transports easily with the hydraulic retractable return conveyor and folding side conveyor.
- Manage the feeder speed for complete control of the flow of material into the impactor with Variable Frequency Drive (VFD).
- Includes wireless remote control for the feeder shutdown and all motor stop.


ULTRAMAX® 1200-CC Technical Specifications*

Model	Tri-Axle	Quad-Axle
Impactor	UM-25	
Operating Length	65' 3" / 19.9M	69' 6" / 21.2M
Gross Weight	123000lbs / 55800kgs	124500lbs / 56500kgs
Travel Length	58' 2" / 17.7M	66' 11" / 20.4M
Travel Width	11' 11" / 3.6M	
Travel Height	13' 5" / 4.1M	
Feed Hopper Capacity	17yd ³ / 13M ³	
Feed Hopper Capacity (Tons)	23.0T / 20.9MT	
Vibrating Feeder	18' x 45.5" / 5.5M x 1.2M	
Feeder Grizzly Deck	60" long 2 step / 1524mm 2 step	
On-Plant Power Supply Diesel	325HP / 242kW diesel engine and 140kW generator or 425HP / 317kW diesel engine and 200kW generator	
On-Plant Power Supply Electric	250HP / 186kW all-electric power	
Discharge Conveyor Width	42" / 1067mm	
Top Screen Deck Cross Conveyor Width	18" / 457mm	
Bottom Screen Deck Cross Conveyor Width	24" / 610mm	
Fines Screen Conveyor Width	42" / 1067mm	
Return Conveyor (Hydraulic Fold) Width	24" / 610mm	

UltraMax® Impactor Model and Specifications*

Model	Diameter x Width		Width x Height		Approx. Weight (lbs / kg)	Rotor Weight (lbs / kg)	Production Capacity**
	Rotor (Inches / Millimeters)	Feed Opening (Inches / Millimeters)	Power Required (HP / kW)				
UM-25	47 x 47 / 1194 x 1194	48 x 34 / 1219 x 864	150 - 300 / 112 - 224		34000 / 15400	13000 / 5900	Varies by application.

*Design specifications subject to change without notice.

**Contact your Eagle Sales Representative with your specific application for anticipated production capacity.