

**CASE**  
CONSTRUCTION

# K SERIES 3 CRAWLER DOZERS

1150K XLT | 1150K WT | 1150K LGP



**NEW**

# K SERIES 3 CRAWLER DOZERS

1150K XLT | 1150K WT | 1150K LGP

## Hydrostatic drive for maximum controllability

The key to productivity on the 1150K Dozer is the high-performance hydrostatic drive, which delivers outstanding power to each track through beefy drive motors. Delivering the horsepower needed to push full blades through turns, Case PowerStat components reduce the number of passes required to move material-improving productivity and lowering operating cost per cubic yard.

Dual hydrostatic pumps are isolation mounted to the frame to reduce vibration and provide smooth operation. Easy operating controls boost productivity and make the 1150K ideal for residential and commercial construction, utility, roads and bridges and rental applications. You can turn the machine simply by tilting the lever in the direction you want to go, slowing the speed of the track on that side. When the lever is completely pushed to the side, the machine will counterrotate.

The operator has infinite variability in steering for precise and easy operation. You maintain power to both tracks while turning and can push a full load through a turn without losing control of the load, braking or raising the blade. While a novice operator can put the 1150K Dozer to work without needing a lot of time to learn the controls, a skilled operator will appreciate the precision control that allows even greater productivity. Operators can also adjust the sensitivity of the steering and the forward/reverse modulation to his or her preference, or to the application conditions.

## Track configurations to match the job

Case crawler dozers offer a wide selection of high-quality undercarriage configurations for maximum versatility.

The Extra Long Track (XLT) configuration is ideal for precision grading and increased flotation. The Wide Track (WT) configuration provides extra stability and accommodates wider blades for finish grading or slope work.

The Low Ground Pressure (LGP) configuration maximizes flotation for applications requiring lower ground pressure. Your Case dealer can help you select the track system that suits your needs. Helical-cut gears in the final drive assemblies reduce noise levels, while the cast center box gives excellent ground clearance. Standard on all units, the Case Lubricated Track (CLT) is sealed and lubricated with an oil reservoir in each pin. The pin and bushing are sealed to keep contamination out while maintaining lubrication, which eliminates wear between the pin and bushing and provides excellent wear life.

The Case Extended Life Track (CELT) undercarriage provides outstanding durability and life in abrasive conditions. CELT uses a large diameter, hardened bushing that is free to rotate on the standard bushing, which allows wear to be distributed over the entire circumference of the outer bushing



1150K XLT





**1150K WT**



**1150K LGP**





# K SERIES 3 CRAWLER DOZERS

1150K XLT | 1150K WT | 1150K LGP



## Engine

The 1150K features a six-cylinder, 6.7-liter turbocharged Case Family IV Engine with electronic fuel injection for maximum fuel efficiency. Delivering 118 net horsepower of muscle to the tracks for superior performance, the engine is connected to the hydrostatic pumps via a drive shaft instead of directly, meaning less machine vibration and more comfortable operation.



## Adjustable blade pitch boosts productivity

The 1150K features a comfortable, low-effort electronic blade control for simultaneous, multi-function control. The high-performance blade hydraulics feature large pump cylinders that deliver speed and power for optimum control and breakout force. To further enhance productivity, the pitch of the blade on the 1150K is easily adjusted with a built-in tool from a maximum 55° forward to 60° rearward to best match soil conditions. This pitch control allows you to match the angle of the blade to the material you are working. The back of the blade is angled so you can see the cutting edge from the cab and know when you are running out of material flowing under the blade.



## Single-lever control

For precise machine controllability, the 1150K has a single lever that controls the hydrostatic drive with electronic straight tracking and two bump-up, bump-down speed buttons with six speed increments. It can adjust the ratio of reverse to forward speed and the steering lever effort.



## Undercarriage configurations

The undercarriage on the 1150K is built for precise, stable and low-cost operation. Heavy-duty pins, bushings and rollers provide long-term, hassle-free track life. Pinned equalizer beam suspension provides a smooth ride, stability and maximum traction for work on slopes, stump removal or pushing hard at low speeds - no matter what the conditions are.



### **Serviceability**

Should your dozer need service, the Case-exclusive onboard hydraulic, easy-tilt system tips the operator platform in less than 10 minutes, providing fast, convenient access to the powertrain, electrical and hydraulic systems.

It all adds up. Keeping your Case 1150K Series Crawler Dozer in top running shape requires less effort, so you have more time to focus on your business.





# K SERIES 3 CRAWLER DOZERS

1150K XLT | 1150K WT | 1150K LGP

## Operator environment

When you sit in the seat of the 1150K, you'll instantly notice the advantages of the operator platform. A large, wide rearview mirror, easy-to-read instrumentation and comfortable controls let you operate with ease. The ergonomically designed operator platform provides excellent visibility to the work site, and a narrow, modular dashboard gives the operator a direct line of sight to the cutting edge. And entry to the cab is made easy with doors that open flat to the side of the cab. The operator platform is isolation mounted from the main frame to cushion your body from the effects of noise and vibration, providing a comfortable ride, reducing fatigue and increasing your productivity levels. For added comfort, an Air-Ride suspension seat is optional on the 1150K. Air conditioning and heat are included in the cab option for year-round, climate-controlled comfort. Visibility to the blade and surrounding work site from the cab is excellent, which is important for precision work. A narrow, modular dashboard and a tapered hood and cowl give the operator a direct line of sight to the back side of the blade to gauge material flow under the blade. Low-effort electronic blade control allows for simultaneous multifunction control.



## Designed for more uptime

The easier it is to perform daily maintenance and service, the more likely it is going to get done—which is why Case designed the 1150K Series Crawler Dozers with best-in-class maintainability. Get your day off to a fast and productive start with easy-to-reach daily service checkpoints. With fluid sight gauges positioned at eye level and quick-disconnect diagnostic test ports, the 1150K is as easy to care for as it is to operate. Swing-out side shields, grille and belly pans provide quick clean out and easy access to spin-on filters.



# Specifications

## Engine

Model \_\_\_\_\_ Case Family IV 667TA/EDJ  
Cylinders \_\_\_\_\_ 6  
Bore/Stroke \_\_\_\_\_ 104 x 132 mm  
Displacement \_\_\_\_\_ 6.7 l  
Fuel injection \_\_\_\_\_ Direct  
Fuel \_\_\_\_\_ #2 Diesel  
Fuel filter \_\_\_\_\_ Primary spin-on with in-line strainer  
Air intake \_\_\_\_\_ Cross-flow  
Cooling \_\_\_\_\_ Liquid  
Engine speeds (rpm)  
High idle - no load \_\_\_\_\_ 2350+/-50  
Rated - full load \_\_\_\_\_ 2200  
Low idle \_\_\_\_\_ 900-1100  
Horsepower per SAE J1349  
Net \_\_\_\_\_ 118 (88 kW) @ 2200 rpm  
Gross \_\_\_\_\_ 130 (97 kW) @ 2200 rpm  
Peak torque @ 1400 rpm  
Net \_\_\_\_\_ 567 N·m  
Gross \_\_\_\_\_ 589 N·m  
Engine lubrication  
Pump \_\_\_\_\_ Deep sump plate cooler with pressurized under-piston nozzles  
Pump operating angle ratings  
Side-to-side \_\_\_\_\_ 45°  
Fore and aft \_\_\_\_\_ 45°

## Engine cooling

Radiator  
Core size area \_\_\_\_\_ 0.61 m<sup>2</sup>  
Rows of tubes \_\_\_\_\_ 4  
Fan  
Diameter \_\_\_\_\_ 662 mm  
Ratio \_\_\_\_\_ 0.9:1

## Electrical system

Alternator \_\_\_\_\_ 65 amp  
Voltage \_\_\_\_\_ 24 volt system  
Battery \_\_\_\_\_ (2) 12-volt low-maintenance 700 cold-cranking amps @ 0° F (-18 C)

## Powertrain

Dual path hydrostatic  
Pump - variable axial piston  
Motor - variable bent axis piston  
Maximum drawbar pull\* \_\_\_\_\_ 213.5 kN  
Transmission \_\_\_\_\_ Single lever control - electronic straight tracking  
Oil filter \_\_\_\_\_ 2 micron, spin-on replaceable  
Travel speeds\*  
Forward \_\_\_\_\_ 0-6 mph (0-9.7 km/h)  
Reverse \_\_\_\_\_ 0-6 mph (0-9.7 km/h)  
\*Measured using standard track chain. Increase travel speeds by 4% and reduce drawbar pull by 4% with the optional CELT track chain.  
Parking brakes \_\_\_\_\_ Heavy-duty, spring-applied, hydraulic pressure release  
Steering brakes \_\_\_\_\_ Hydrostatic  
Final drive \_\_\_\_\_ 2 helical gear reduction to planetary output  
Ratio \_\_\_\_\_ 61:1

## Transmission cooling

Type \_\_\_\_\_ Oil to air  
Core size \_\_\_\_\_ 54 452 cm<sup>2</sup>

## Hydraulic system

Standard equipment pump  
Pump flow @ 2200 rpm @ 2830 psi (195 kPa) \_\_\_\_\_ 132 l/min

## Cylinders

Lift cylinder (2)  
Bore diameter \_\_\_\_\_ 108 mm  
Rod diameter \_\_\_\_\_ 50.8 mm  
Stroke \_\_\_\_\_ 445 mm  
Angle cylinder (2)  
Bore diameter \_\_\_\_\_ 127 mm  
Rod diameter \_\_\_\_\_ 64 mm  
Stroke \_\_\_\_\_ 381 mm  
Tilt cylinder (1)  
Bore diameter \_\_\_\_\_ 127 mm  
Rod diameter \_\_\_\_\_ 64 mm  
Stroke \_\_\_\_\_ 120

# K SERIES 3 CRAWLER DOZERS

1150K XLT | 1150K WT | 1150K LGP

## Undercarriage

Track adjustment	Hydraulic
Frame	Oscillating equalizer beam suspension and pivot shaft
Length of track on ground	2.59 m
Track link pitch	
CLT track	175 mm
CELT track	175 mm
Track shoe height	53 mm)
Pin diameter	37 mm
Bushing diameter	
CLT track	62 mm
CELT track	79 mm
Bolt diameter	16 mm
Track shoes per side	
CLT track	43
CELT track	43
Track rollers per side	7
Carrier rollers per side	2
Track roller rail dia.	190 mm

## Operator environment

ROPS canopy
Adjustable armrests
Foot rests
Retractable seat belt, 2 in (51 mm)
Vinyl suspension seat w/back adjustment
Headliner
Floormat
Mirror
Entire structure tilts for access

## Instrumentation

Warning lights:
Air filter
Alternator
Diagnostic fault indicator
Engine coolant temperature
Engine oil pressure
Hydraulic filter
Low fuel level
Park brake engaged
Service soon indicator
Transmission filter
Transmission charge pressure
Gauges:
Battery voltage
Digital hourmeter/tachometer/diagnostic/service reminder
Fuel level
Transmission oil temperature

Transmission speed indicator
Water temperature
Audible warnings:
Engine coolant temperature
Engine oil pressure
Low fuel level
Transmission charge pressure
Transmission/hydraulic temperature

## Blade

Blade pitch (adjustable)	55° - 60°
Cutting edge	Reversible and replaceable
Width	203 mm
Thickness	19 mm

## Ripper

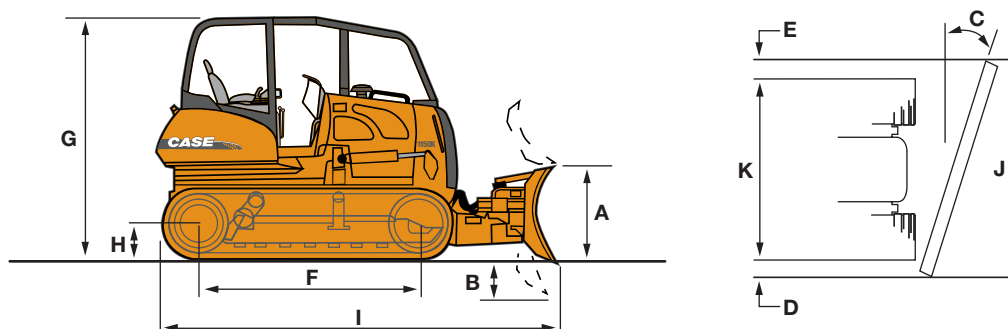
Max. penetration	483 mm
Width	1711 mm
Cut width	1635 mm
Ground clearance (shanks in top position)	424 mm
Points	Replaceable
Max. number of shanks	3
Tooth spacing with 3 teeth	787 mm
Hydraulic cylinder (double-acting)	
Diameter	102 mm
Stroke	254 mm
Rod	51 mm

## Service capacities

Fuel tank	246 l
Engine oil w/filter	15.6 l
Engine oil w/o filter	16.4 l
Engine cooling system	32 l
Cooling system	
Cab w/heater and AC	32.5 l
Hydraulic reservoir	98.4 l
Final drive (per side)	14.2 l
Track rollers (ea.)	0.45 l
Front idlers (ea.)	0.49 l
Carrier rollers (ea.)	0.29 l



## General dimensions



	Extra Long Track (XLT)	Wide Track (WT)	Low Ground Pressure (LGP)
<b>BLADES</b>			
Blade width	3.05 m	3.35 m	3.35 m
SAE blade capacity	2.9 m <sup>3</sup>	3.2 m <sup>3</sup>	3.2 m <sup>3</sup>
A Blade lift above ground	965 mm	965 mm	965 mm
B Blade depth below ground	483 mm	483 mm	483 mm
C Blade angle both directions	25°	25°	17°
Blade tilt, each end (up to 8.3°)	439 mm	483 mm	483 mm
Blade height	1118 mm	1118 mm	1118 mm
D Cast reach	381 mm	361 mm	284 mm
E Cut reach	-5 mm	-13 mm	-89 mm
<b>TRACKS</b>			
Track gauge	1.78 m	1.98 m	1.98 m
Max shoe width	610 mm	762 mm	864 mm
F Track on ground	2.59 m	2.59 m	2.59 m
Area of track on ground	3.16 m <sup>2</sup>	3.95 m <sup>2</sup>	4.47 m <sup>2</sup>
Ground pressure	39.7 kPa	34.5 kPa	29.2 kPa
<b>DIMENSIONS</b>			
G Height to top of ROPS	2.83 m	2.83 m	2.83 m
Height to top of cab	2.83 m	2.83 m	2.83 m
H Ground clearance	379 mm	379 mm	379 mm
<b>Length</b>			
I - Blade straight with drawbar	5.03 m	5.03 m	5.03 m
- Blade straight with ripper	5.97 m	5.97 m	5.97 m
<b>Width</b>			
- Blade straight	3.05 m	3.35 m	3.35 m
J Blade angled	2.82 m	3.10 m	3.10 m
K Over track	2.39 m	2.69 m	2.84 m

NOTE: Ground clearance and overall height dimensions are with the grousers fully penetrated. Add 52.5 mm if unit is on solid surface.

# K SERIES 3 CRAWLER DOZERS

1150K XLT | 1150K WT | 1150K LGP

## Operating Weight

Unit equipped with ROPS, full fuel tank, 77 kg operator, side shield, track guides, backup alarm, horn, lights and rear retrieval hitch

	Weight (kg)
Extra Long Track	12.636
Wide Track	13.003
LGP	13.317

Add-on weights	Weight (kg)
Drawbar	66
Ripper (3 shank)	1043
Winch	952
Front counterweight	495
Cab	417
ROPS heater	32
CELT chain	170

## Track and shoe options

### Extra Long Track

508 mm	closed grousers and CLT
508 mm	open grousers and CELT
610 mm	closed grousers and CLT
610 mm	open grousers and CELT

### Wide Track

508 mm	closed grousers and CLT
508 mm	open grousers and CELT
610 mm	closed grousers and CLT
610 mm	open grousers and CELT
762 mm	closed grousers and CLT
762 mm	open grousers and CELT

### Low ground pressure

864 mm	closed grousers and CLT
864 mm	open grousers and CELT

## Area of track on ground

Shoe	Area (cm <sup>2</sup> )
508 mm	30.968
610 mm	31.587
762 mm	39.484
864 mm	44.748

## K series 3 crawler dozers

1150K	XLT Log Track	WT Wide Track	LGP Low Ground Pressure
Engine	118 net hp (88 kW)	118 net hp (88 kW)	118 net hp (88 kW)
Blade capacity	2.9 m <sup>3</sup>	3.2 m <sup>3</sup>	3.2 m <sup>3</sup>
Track on ground	2.59 m	2.59 m	2.59 m

## You can count on Case

You can count on Case and your Case dealer for full-service solutions-productive equipment, expert advice, flexible financing, genuine Case parts and fast service. We're here to provide you with the ultimate ownership experience.

### Case pride

You can take pride in the Case name on your machine. It's backed by more than a century of productivity and performance. Case and your Case dealer are here for you, not only when you buy the machine, but also after you put 1,000 or 10,000 hours on it.

### A rich, proud history

Case Construction Equipment's heritage spans more than 165 years. Growing from J.I. Case's innovations with steam-powered machinery in the late 1800s, Case developed road-building equipment that helped create early 20th century streets and highways across the world. By 1912, Case was well on its way to establishing itself as a full-line equipment manufacturer. The company continued to expand its construction equipment business over the next 45 years.

### Celebrating a tradition of innovation

In 1957, Case produced the world's first integrated loader/backhoe made and warranted by one manufacturer. Over the decades and into the 21st century, Case has continued to develop a long line of industry firsts and has taken a leadership role in pioneering new products and solutions. Today, Case produces 15 lines of equipment and more than 90 models to meet your toughest construction challenges. Supported by manufacturing and sales in more than 150 countries, Case serves the needs of our customers worldwide.

### Customer support

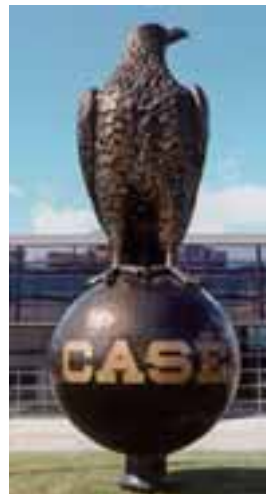
Case equipment is sold and serviced by more than 370 dealers and 900 outlets worldwide. No matter where you work, we're here to support and protect your investment.

To locate a Case dealer or learn more about Case equipment or customer service, go to [www.casece.com](http://www.casece.com). For flexible financing options, dependable parts and fast service, your Case dealer is here to meet your needs.

It all adds up. You can count on Case.

### Case offers you:

**EQUIPMENT | FINANCING | PARTS | AFTER SALES SERVICE**





# Standard equipment

## OPERATOR'S COMPARTMENT

ROPS/FOPS canopy  
Vinyl suspension seat w/back adjustment  
Retractable seat belt, 51 mm  
Adjustable armrests  
Foot rests  
Tool storage area  
Headliner  
Floor mat  
Entire structure tilts for access

## ENGINE

Case Family IV 667TA/EDJ  
Automatic fan belt tensioner  
Integral engine oil cooling  
Fuel filter  
Dual element radial seal air cleaner  
65 amp alternator  
(2) 700 CCA 12-volt batteries  
Anti-sandblast radiator  
Engine side panels

## POWERTRAIN

Dual path infinitely variable, single-lever controlled hydrostatic drive with electronic straight tracking & counter-rotation, 4-position forward/reverse ratio control  
Final drive - Triple reduction - helical gear/planetary decelerator with hydrostatic drive retardation  
Automatic spring applied parking brake

## BLADE

55° - 60° variable pitch with integral adjustment tool  
Single lever electro hydraulic control for blade lift, angle and tilt

## UNDERCARRIAGE

Hydraulic track adjusters  
Case Lubricated Track Chain  
Permanently lubricated track and carrier rollers and idlers

Track adjuster guard  
Track guides (front and rear)

## OTHER

Backup alarm  
Horn  
Anti-vandalism package  
Mirror  
Pre-cleaner  
Lights - 2 front, 1 rear  
Rear transmission guard  
Front pull hook

# Options

## OPERATOR'S COMPARTMENT

Cab (w/heater, defroster, A/C, front windshield washer and lights)  
ROPS heater  
76 mm seat belt  
Deluxe air suspension seat

## HYDRAULICS

4 spool hydraulic valve for field-installed ripper

## REAR MOUNTED EQUIPMENT

Ripper, 3 slot with 3 shanks

## BLADES

3.05 m XLT w/610 mm shoes

3.35 m WT w/762 mm shoes  
3.35 m LGP w/864 mm shoes

## GUARDS

ROPS canopy brush guard  
CAB canopy brush guard  
Center rockguard

## SCREENS

Rear ROPS and cab  
Side ROPS  
Radiator brush

## OTHER

Counterweight, front  
Drawbar, short  
Drawbar, long

Rear retrieval hitch  
Environmental drains  
Turbine precleaner  
Rear wiper for cab  
Tool box for ROPS  
PTO equipment pump for winch drive  
Special paint  
Case Extended Life Track  
Grid heater  
Additional lights (2 front, 1 rear)

*Standard and optional equipment shown can vary by country.*

## Worldwide Case Construction Equipment Contact Information

### EUROPE:

via Plava, 80  
10137 TORINO - ITALIA

### AFRICA/MIDDLE EAST/CIS:

Riva Paradiso 14  
6902 Paradiso - SWITZERLAND

### NORTH AMERICA/MEXICO:

700 State Street  
Racine, WI 53404 U.S.A.

### LATIN AMERICA:

Av. General David Sarnoff 2237  
32210 - 900 Contagem - MG  
Belo Horizonte BRAZIL

### ASIA PACIFIC:

Unit 1 - 1 Foundation Place - Prospect  
New South Wales - 2148 AUSTRALIA

### CHINA:

No. 29, Industrial Premises, No. 376.  
De Bao Road, Waigaoqiao Ftz, Pudong,  
SHANGHAI, 200131, P.R.C.

## CASE Construction Equipment

CNH UK Ltd  
Unit 4,  
Hayfield Lane Business Park,  
Field Lane, Auckland,  
Doncaster,  
DN9 3FL  
Tel. 00800-2273-7373  
Fax +44 1302 802829

**CASE** Customer Assistance  
**00800-2273-7373**

The call is free from a land line. Check in advance with your Mobile Operator if you will be charged.



NOTE: Standard and optional fittings can vary according to the demands and specific regulations of each country. The illustrations may include optional rather than standard fittings - consult your Case dealer. Furthermore, CNH reserves the right to modify machine specifications without incurring any obligation relating to such changes.

Conforms to directive 98/37/CE



Test it at the CASE Customer Centre Paris!

[www.casece.com](http://www.casece.com)

